



DST



Page 717

With variable length and simply strong.

Extremely flexible thanks to different handles, even on longer lengths. Fast installation and a strong connection thanks to DST.

Unique. Variable. Attractive.

The DST quarter-turn with handle uniquely combines the locking function of a quarter-turn with the aesthetic design of a handle. DST ensures easy, reliable and secure installation.



DST

Page 711

DIRAK-SNAP-Technology.

Did you know? Most of our products are also available with DIRAK-SNAP-Technology (DST).



Page 695

NEAT AND CLEAN.

Insensitive to dirt and easy to clean thanks to slanted surfaces and transition radii, the bow handle can be used both vertically and horizontally.

Stays on the bottom.

The flush mounted hinge recessed handle is especially suitable for installation in bottom flaps.

Page 713



DST



Page 130

Handles by Material

Polyamide

Page: 694-697, 709, 712, 714-718

Zinc die

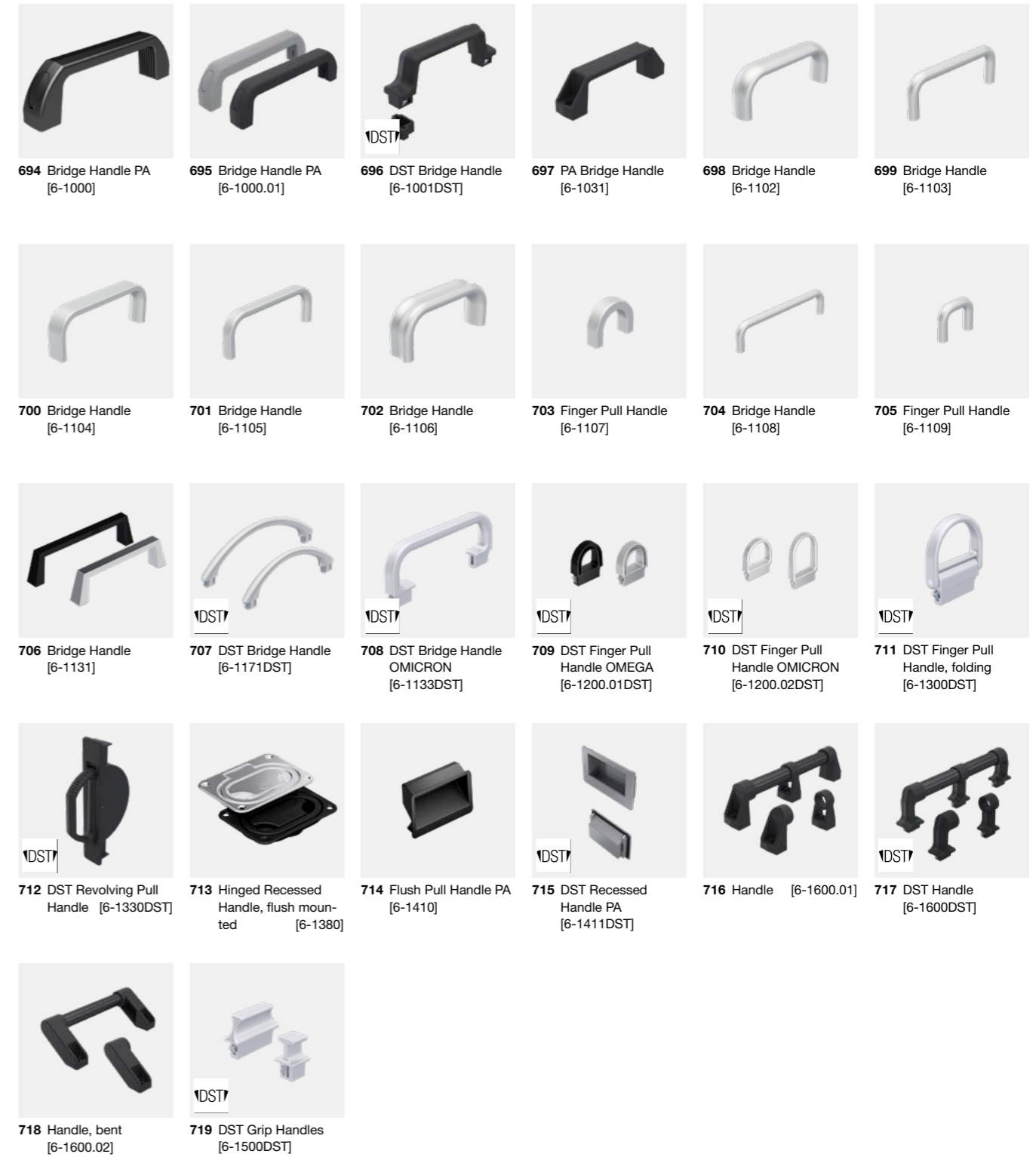
Page: 706-711, 713, 719

Aluminium

Page: 698-705

Polyamide/
Steel

Page: 716-718





Advantages

- For vertical or horizontal applications.
- Resistant to dirt and easy to clean due to sloping surfaces and transition radii.
- Corrosion-resistant.
- Screws are covered by plugs.
- Plugs clip into the handle tool-less.

Materials

■ **Bridge handle:** PA, black

Remarks

Fastening by cylinder head screws DIN 7984, cylinder head screws DIN EN ISO 4762, hex. head screws DIN 931 and / or countersunk screws DIN EN ISO 10642.



Advantages

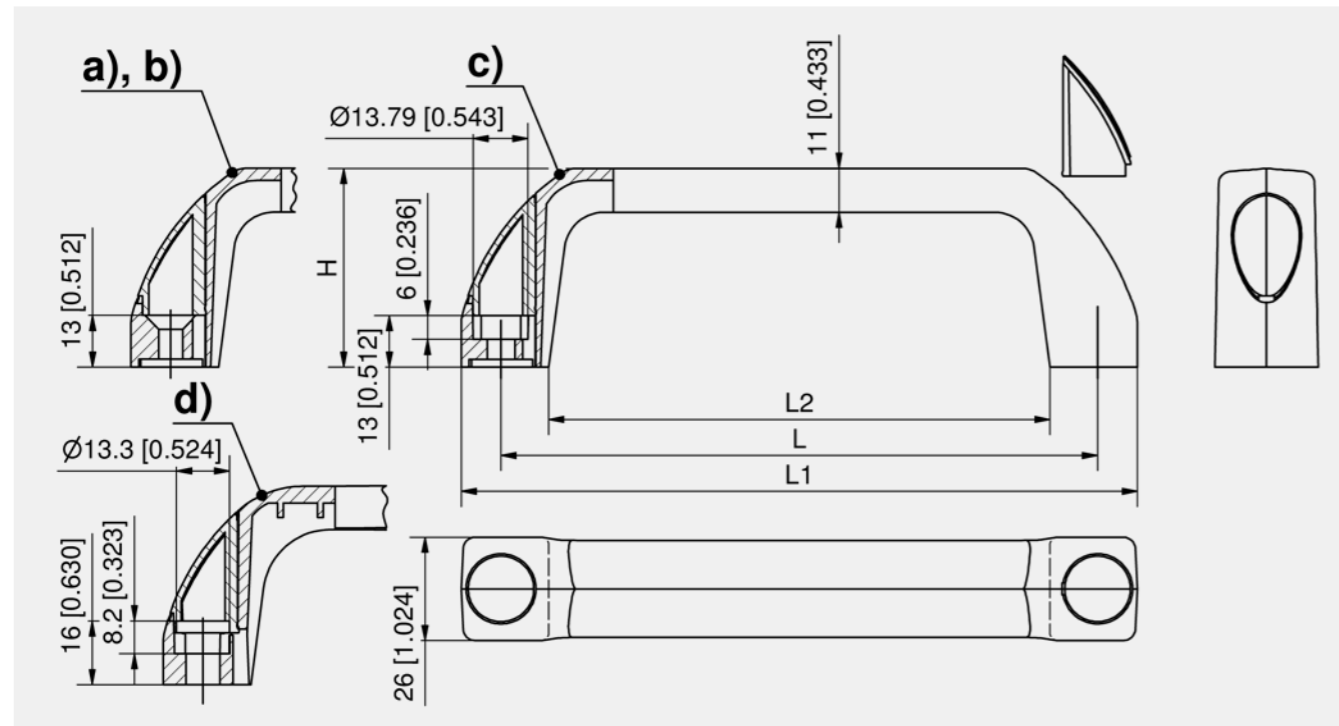
- For vertical or horizontal applications.
- Resistant to dirt and easy to clean due to sloping surfaces and transition radii.
- Corrosion-resistant.
- Screws are covered by plugs.
- Plugs clip into the handle tool-less.

Materials

Handle and plugs: PA, grey (RAL 7001) or black, matt

Remarks

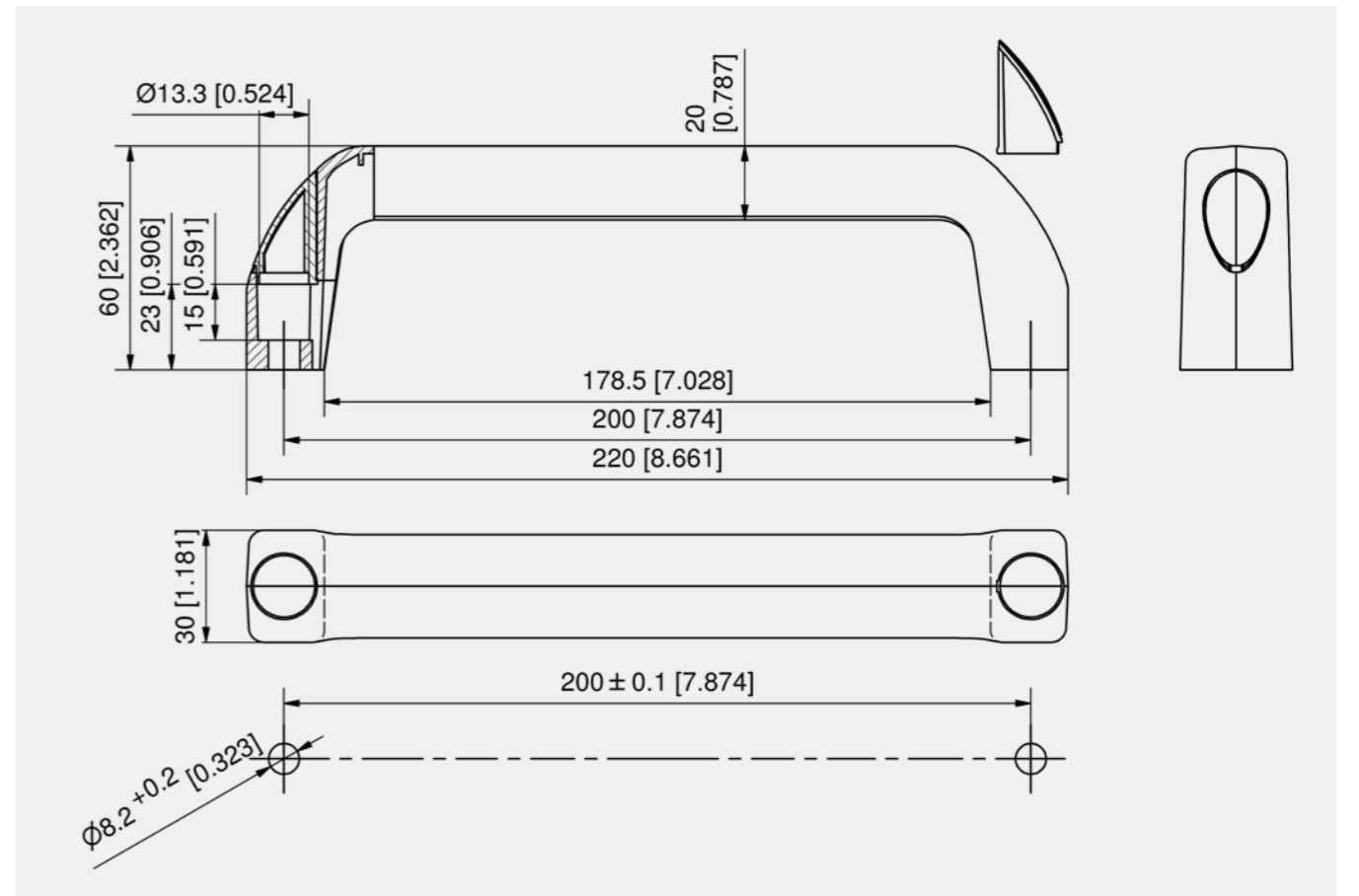
Fastening with M8 cylinder head screws DIN 7984.



Polyamide handle complete, with 2 plugs

	Part Number	Fastening type	L	L1	L2	H	Installation type	Delivery Unit
a)	213-9207.00-00000	Countersunk screws M5	122 mm	142 mm	98 mm	41 mm	screw-on	10 pcs.
a)	213-9204.00-00000	Countersunk screws M5	122 mm	142 mm	98 mm	50 mm	screw-on	10 pcs.
a)	213-9202.00-00000	Countersunk screws M5	150 mm	170 mm	126 mm	50 mm	screw-on	10 pcs.
b)	213-9205.00-00000	Countersunk screws M6	122 mm	142 mm	98 mm	50 mm	screw-on	10 pcs.
c)	213-9206.00-00000	Cylinder head screws / hex. screws M6	122 mm	142 mm	98 mm	41 mm	screw-on	10 pcs.
c)	213-9203.00-00000	Cylinder head screws / hex. screws M6	122 mm	142 mm	98 mm	50 mm	screw-on	10 pcs.
c)	213-9201.00-00000	Cylinder head screws / hex. screws M6	150 mm	170 mm	126 mm	50 mm	screw-on	10 pcs.
d)	350-2040.00-00000	Cylinder head screws M8	179 mm	199 mm	155 mm	50 mm	screw-on	10 pcs.

Accessories	
+	755 6-041 Countersunk Screws and Hexagon Nuts



Polyamide handle complete, with 2 plugs

Part Number	Surface	L	L1	L2	H	Installation type	Delivery Unit
352-2151.03-00000	grey RAL 7001	200 mm	220 mm	178.5 mm	60 mm	screw-on	10 pcs.
352-2151.03-00001	black	200 mm	220 mm	178.5 mm	60 mm	screw-on	10 pcs.





Advantages

- Bridge handle with DIRAK-SNAP-Technology, two sizes.
- Tool-less installation.
- The appealing design guarantees a firm and reliable grab.
- The closed surface makes it resistant to dirt and easy to clean.
- Lowest inside radius 5mm.
- For vertical or horizontal applications.
- Vibration-proof according to DIN EN 61373.

Materials

- **Bridge handle and cap:** PA, black
- **Snap wedges:** sintered steel

Remarks

Handle for variable lengths in the same design see product system 6-1600DST.



Advantages

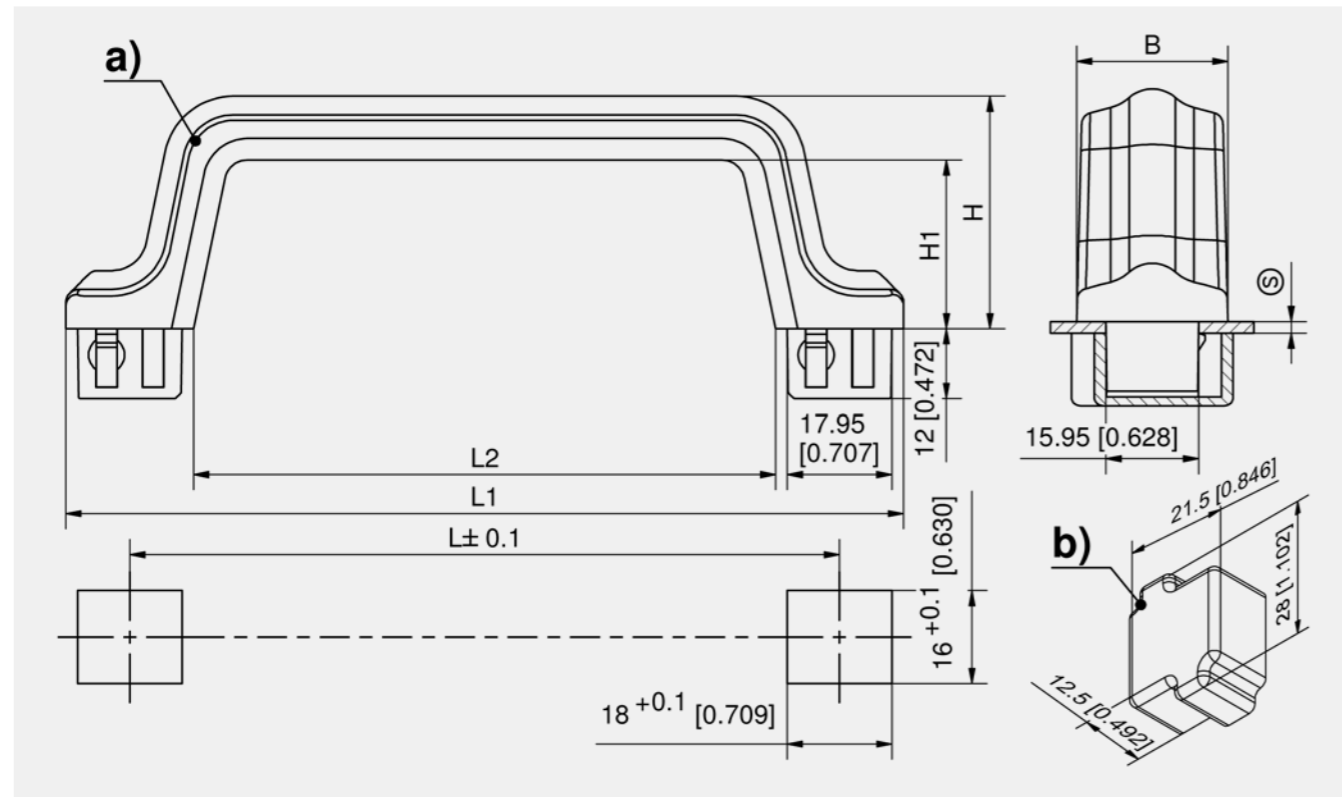
- Bridge handle, two sizes.
- For vertical or horizontal applications.

Materials

- **Bridge handle:** PA, black

Remarks

- a) fastening with cap screws DIN 7984, cap screws DIN ISO 4762, hexagon head screws DIN 931 SW10.
- b) fastening with countersunk head screws DIN EN ISO 10642.

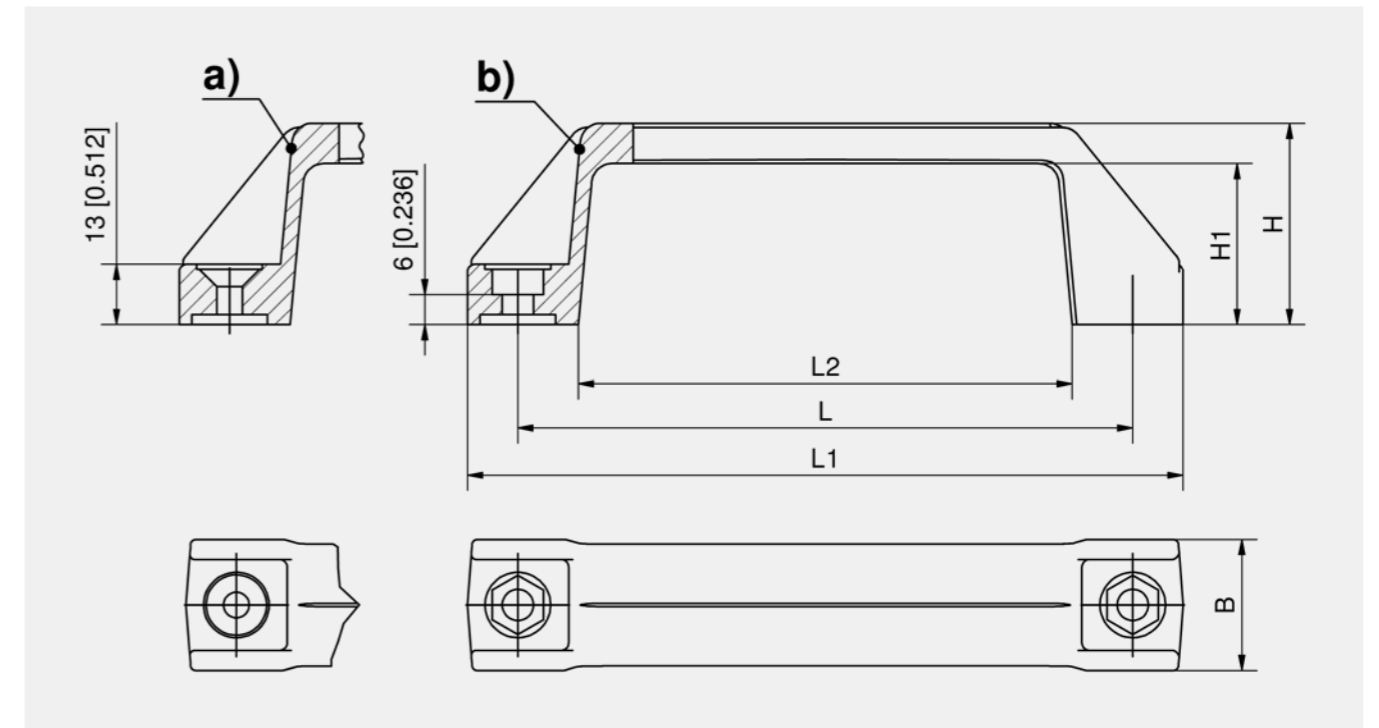


Polyamide handle

	Part Number	Clamping range (S)	L	L1	L2	H	H1	B	Installation type	Delivery Unit
a)	413-9003.00-00015	0.8 - 1.5 mm	122 mm	144 mm	100 mm	40 mm	29 mm	26 mm	tool-less	10 pcs.
a)	413-9003.00-00020	1.3 - 2.0 mm	122 mm	144 mm	100 mm	40 mm	29 mm	26 mm	tool-less	10 pcs.
a)	413-9003.00-00027	2.0 - 2.7 mm	122 mm	144 mm	100 mm	40 mm	29 mm	26 mm	tool-less	10 pcs.
a)	413-9004.00-00015	0.8 - 1.5 mm	150 mm	172 mm	128 mm	50 mm	39 mm	28 mm	tool-less	10 pcs.
a)	413-9004.00-00020	1.3 - 2.0 mm	150 mm	172 mm	128 mm	50 mm	39 mm	28 mm	tool-less	10 pcs.
a)	413-9004.00-00027	2.0 - 2.7 mm	150 mm	172 mm	128 mm	50 mm	39 mm	28 mm	tool-less	10 pcs.

Accessories Polyamide handle

	Part Number	Type	Installation type	Delivery Unit
b)	413-0901.54-00000	Cap	tool-less	10 pcs.



Bridge handle

	Part Number	Fastening type	L	L1	L2	H	H1	B	Installation type	Delivery Unit
a)	213-0202.03-00000	Countersunk screws M5	122 mm	142 mm	98 mm	40 mm	32 mm	26 mm	screw-on	10 pcs.
b)	213-0201.03-00000	Hexagon screws M6	122 mm	142 mm	98 mm	40 mm	32 mm	26 mm	screw-on	10 pcs.
a)	213-0204.03-00000	Countersunk screws M5	150 mm	170 mm	120 mm	52 mm	42 mm	28 mm	screw-on	10 pcs.
b)	213-0203.03-00000	Hexagon screws M6	150 mm	170 mm	120 mm	52 mm	42 mm	28 mm	screw-on	10 pcs.

Accessories	
+	755 6-041 Countersunk Screws and Hexagon Nuts



RoHS
WEEE



Advantages

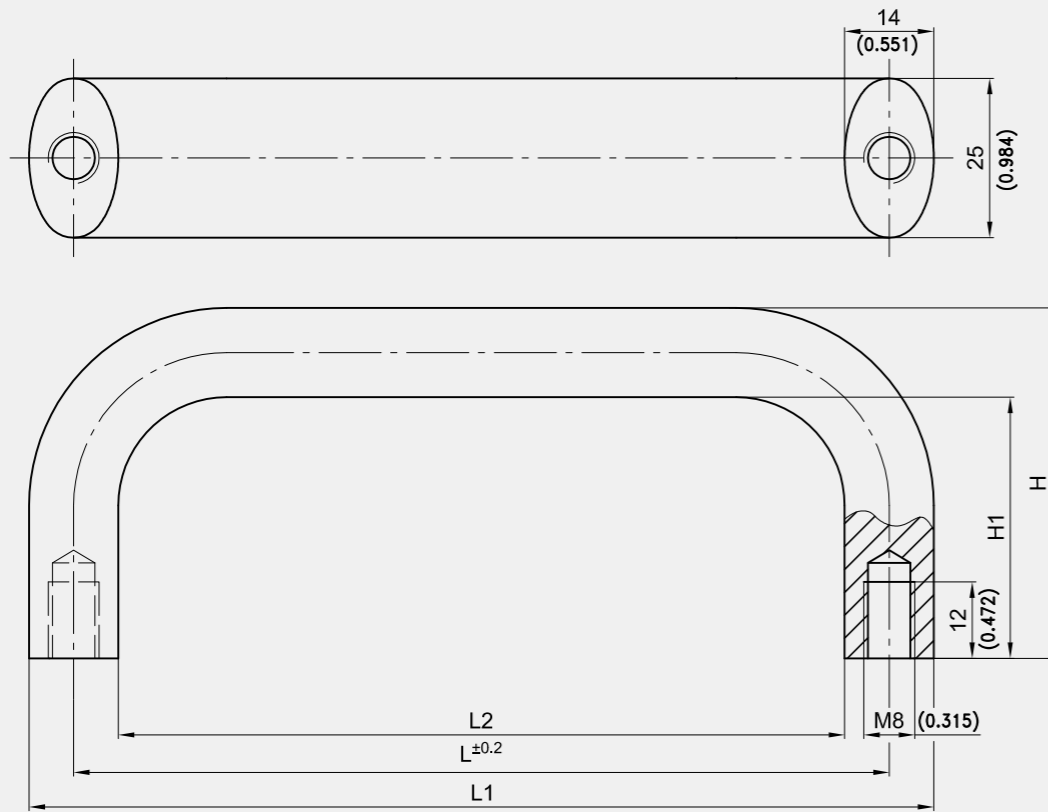
- Solid aluminum handle, modern industrial design.
- Handles for hospital equipment, medical and food processing technology.
- For vertical or horizontal applications.

Materials

- **Bridge handle:** aluminum, anodized natural (silver)
- **Other surfaces on request.**

Remarks

For screws M8.
Additional lengths on request.



Bridge handle, ellipse

Part Number	L	L1	L2	H	H1	Installation type	Delivery Unit
213-0514.96-00112	112 mm	126 mm	98 mm	55 mm	41 mm	screw-on	10 pcs.
213-0514.96-00128	128 mm	142 mm	114 mm	55 mm	41 mm	screw-on	10 pcs.
213-0514.96-00160	160 mm	174 mm	146 mm	55 mm	41 mm	screw-on	10 pcs.

RoHS
WEEE



Advantages

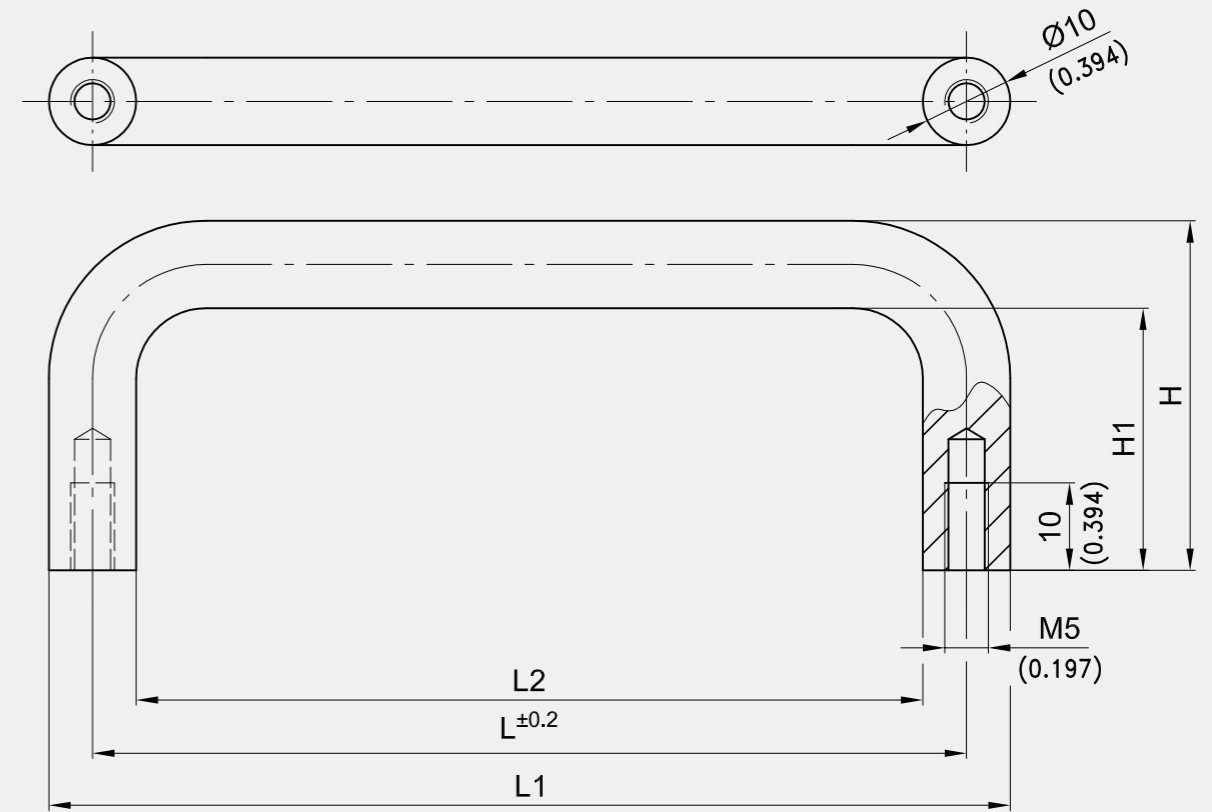
- Solid aluminum handle, modern industrial design.
- Handles for hospital equipment, medical and food processing technology.
- For vertical or horizontal applications.

Materials

- **Bridge handle:** aluminum, anodized natural (silver)
- **Other surfaces on request.**

Remarks

For screws M5.



Bridge handle, round

Part Number	L	L1	L2	H	H1	Installation type	Delivery Unit
213-0517.96-00100	100 mm	110 mm	90 mm	40 mm	30 mm	screw-on	10 pcs.





Advantages

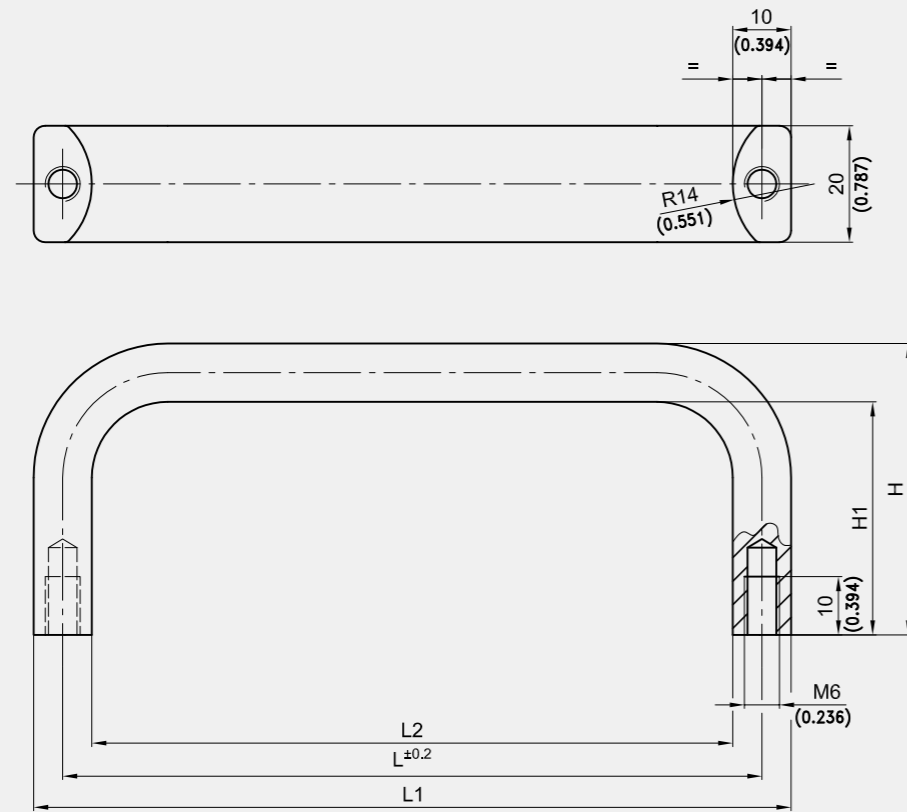
- Solid aluminum handle, modern industrial design.
- Handles for machine building, tool building, electrical industry, hospital equipment, medical and food processing technology.
- For vertical or horizontal applications.

Materials

- **Bridge handle:** aluminum, anodized natural (silver)
- **Other surfaces on request.**

Remarks

For screws M6.



Bridge handle, half round

Part Number	L	L1	L2	H	H1	Installation type	Delivery Unit
213-0513.96-00112	112 mm	122 mm	102 mm	50 mm	40 mm	screw-on	10 pcs.
213-0513.96-00128	128 mm	138 mm	118 mm	50 mm	40 mm	screw-on	10 pcs.
213-0513.96-00160	160 mm	170 mm	150 mm	50 mm	40 mm	screw-on	10 pcs.



Advantages

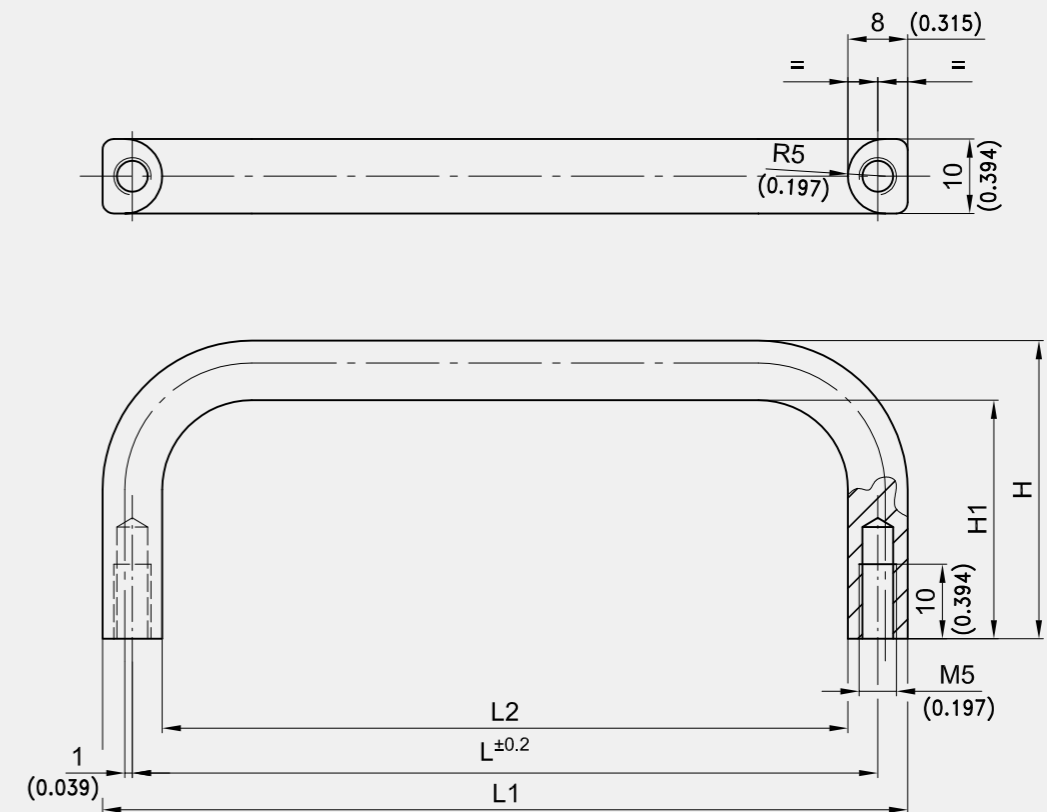
- Solid aluminum handle, modern industrial design.
- Handles for hospital equipment, medical and food processing technology.
- For vertical or horizontal applications.

Materials

- **Bridge handle:** aluminum, anodized natural (silver)
- **Other surfaces on request.**

Remarks

For screws M5.



Bridge handle, half round

Part Number	L	L1	L2	H	H1	Installation type	Delivery Unit
213-0516.96-00100	100 mm	108 mm	92 mm	40 mm	32 mm	screw-on	10 pcs.





Advantages

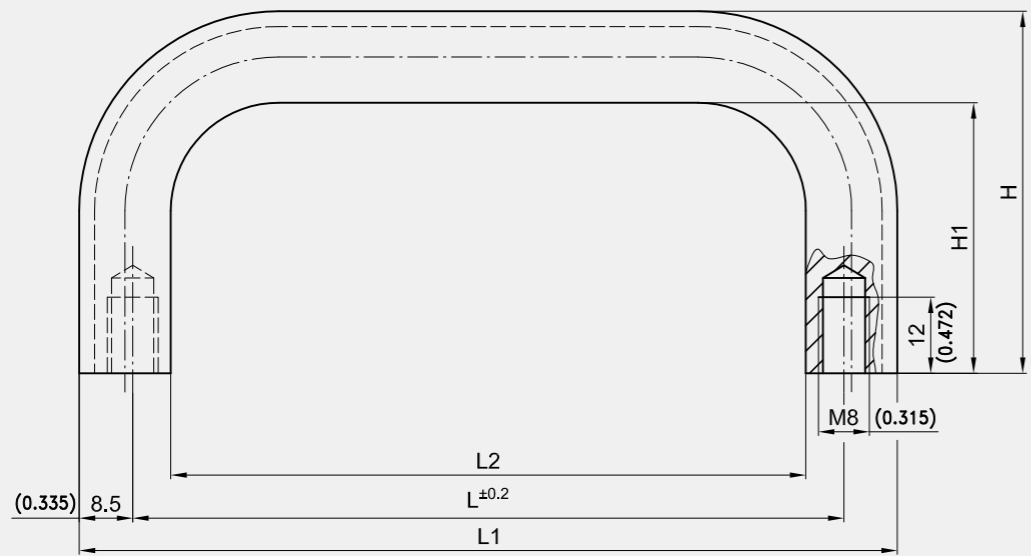
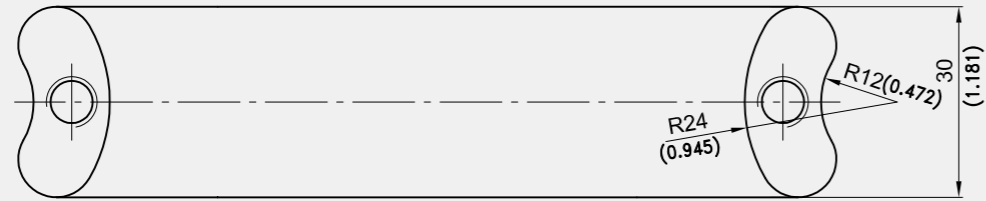
- Solid aluminum handle.
- The appealing kidney-shaped design makes it ergonomic and easy to use.
- Handles for machine building, tool building, electrical industry, hospital equipment, medical and food processing technology.
- For vertical or horizontal applications.

Materials

- **Bridge handle:** aluminum, anodized natural (silver)
- **Other surfaces on request.**

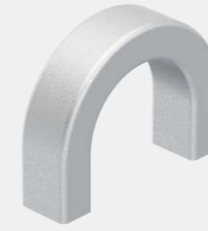
Remarks

For screws M8.



Bridge handle

Part Number	L	L1	L2	H	H1	Installation type	Delivery Unit
213-0515.96-00128	128 mm	145 mm	116 mm	57 mm	42.5 mm	screw-on	10 pcs.
213-0515.96-00160	160 mm	177 mm	148 mm	57 mm	42.5 mm	screw-on	10 pcs.
213-0515.96-00192	192 mm	209 mm	180 mm	57 mm	42.5 mm	screw-on	10 pcs.
213-0515.96-00350	350 mm	367 mm	338 mm	57 mm	42.5 mm	screw-on	10 pcs.
213-0515.96-00500	500 mm	517 mm	488 mm	57 mm	42.5 mm	screw-on	10 pcs.



Advantages

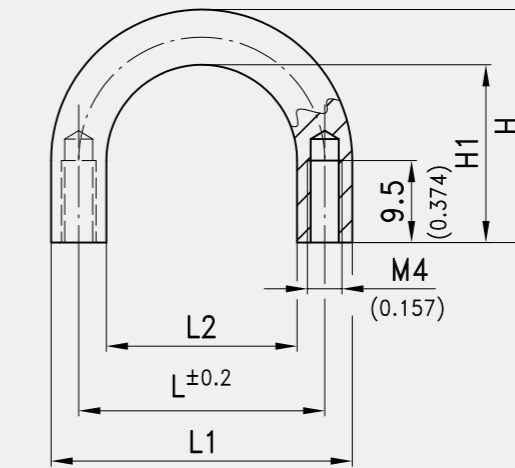
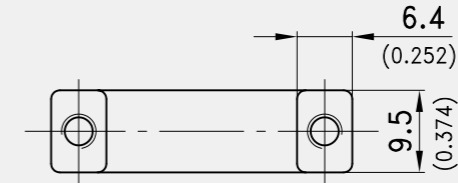
- Solid aluminum handle, modern industrial design.
- This handle is suitable for the computer industry, 19" technology, enclosures, equipments and other applications.
- For vertical or horizontal applications.

Materials

- **Finger pull handle:** aluminum, anodized natural (silver)
- **Other surfaces on request.**

Remarks

Fastening with M4 screws.



Finger pull handle

Part Number	L	L1	L2	H	H1	Installation type	Delivery Unit
213-0510.96-00285	28.5 mm	35 mm	22.2 mm	27 mm	20.5 mm	screw-on	10 pcs.





Advantages

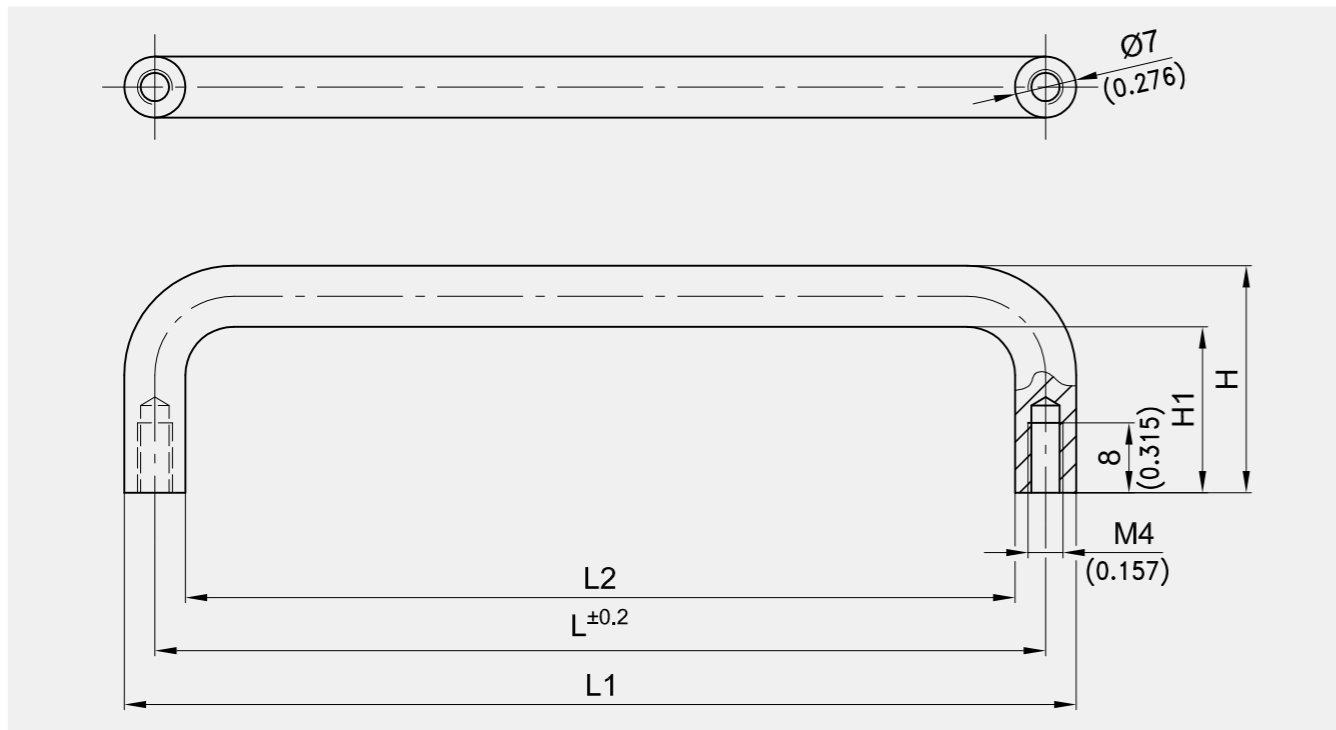
- Solid aluminum handle, modern industrial design.
- This handle is suitable for the computer industry, 19" technology, enclosures, equipments and other applications.
- For vertical or horizontal applications.

Materials

- **Bridge handle:** aluminum, anodized natural (silver)
- **Other surfaces on request.**

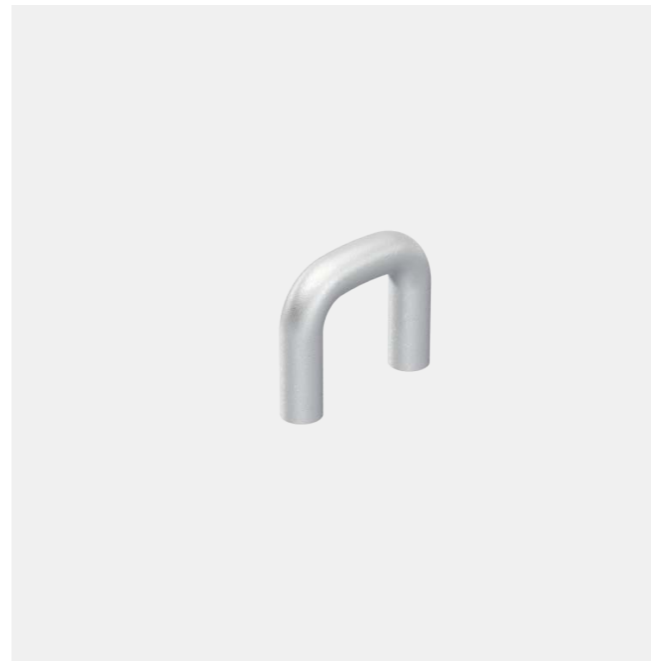
Remarks

Fastening with M4 screws.
Finger pull handle in same design see product system 6-1109.



Bridge handle

Part Number	L	L1	L2	H	H1	Installation type	Delivery Unit
213-0512.96-00096	96 mm	103 mm	89 mm	26 mm	19 mm	screw-on	10 pcs.
213-0512.96-00128	128 mm	135 mm	121 mm	26 mm	19 mm	screw-on	10 pcs.



Advantages

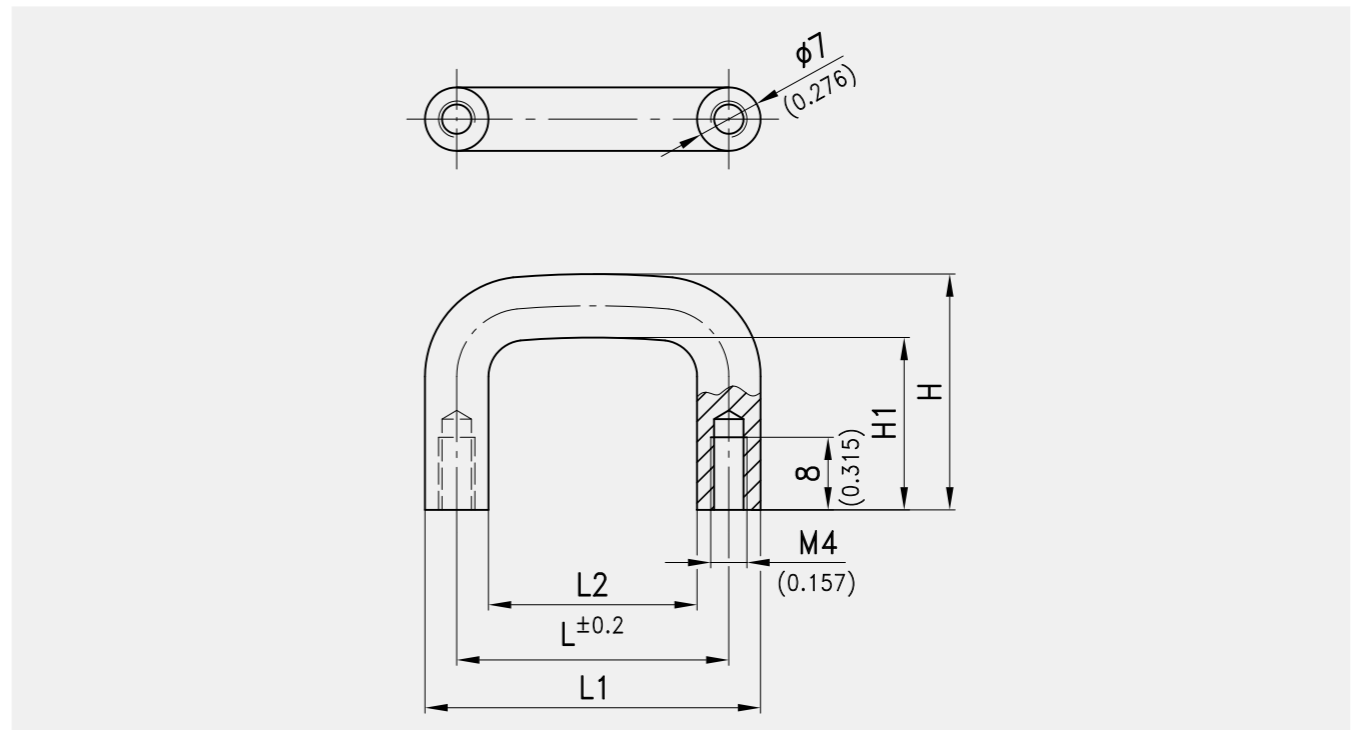
- Solid aluminum handle, modern industrial design.
- This handle is suitable for the computer industry, 19" technology, enclosures, equipments and other applications.
- For vertical or horizontal applications.

Materials

- **Finger pull handle:** aluminum, anodized natural (silver)
- **Other surfaces on request.**

Remarks

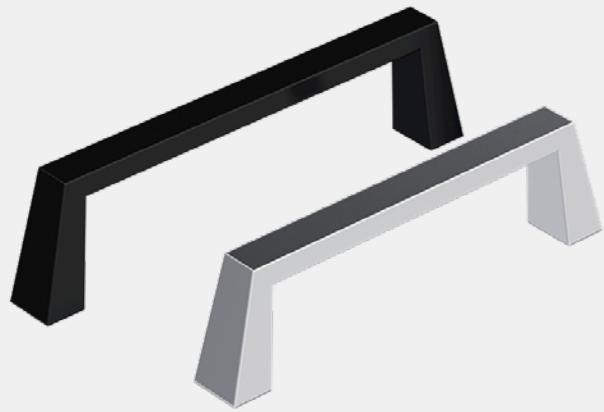
Fastening with M4 screws.
Bridge handle in same design see product system 6-1108.



Finger pull handle

Part Number	L	L1	L2	H	H1	Installation type	Delivery Unit
213-0511.96-00030	30 mm	37 mm	23 mm	26 mm	19 mm	screw-on	10 pcs.
213-0511.96-00064	64 mm	71 mm	57 mm	26 mm	19 mm	screw-on	10 pcs.





Advantages

- For vertical or horizontal applications.

Materials

- **Bridge handle:** zinc die, chrome plated or black

Remarks

Fastening with M4 screws.

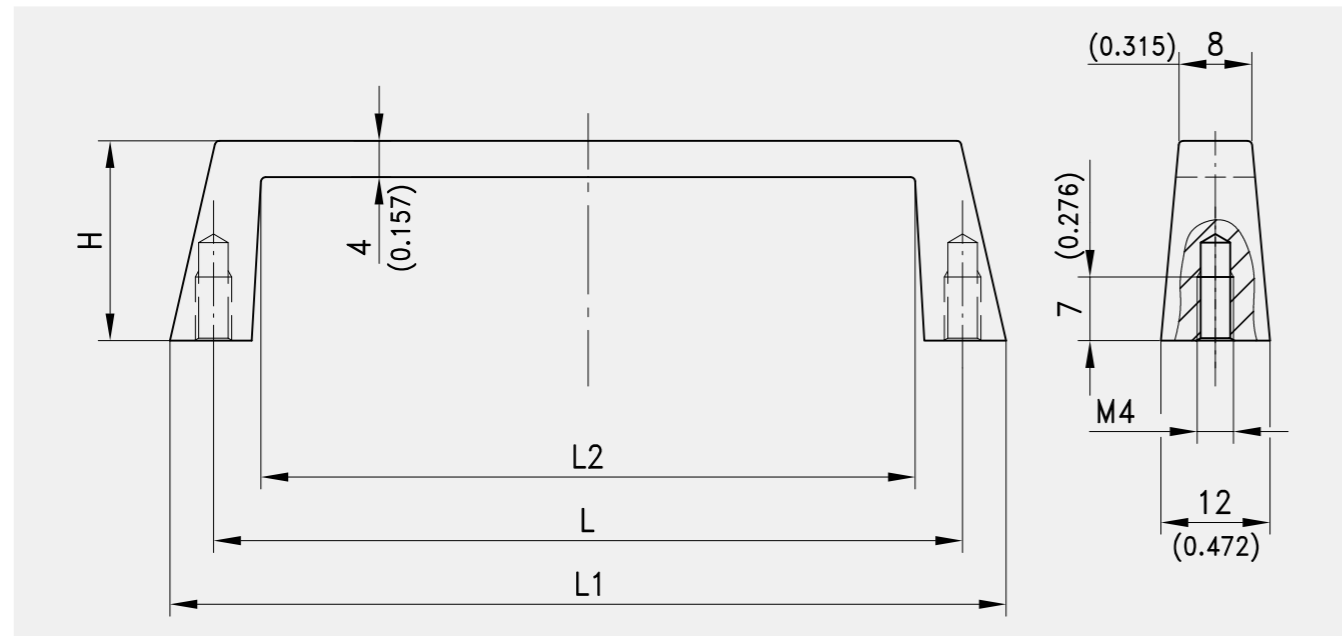


Advantages

- Elegant bridge handle with DIRAK-SNAP-Technology.
- Surface matt chrome plated.
- Tool-less installation.
- For vertical or horizontal applications.

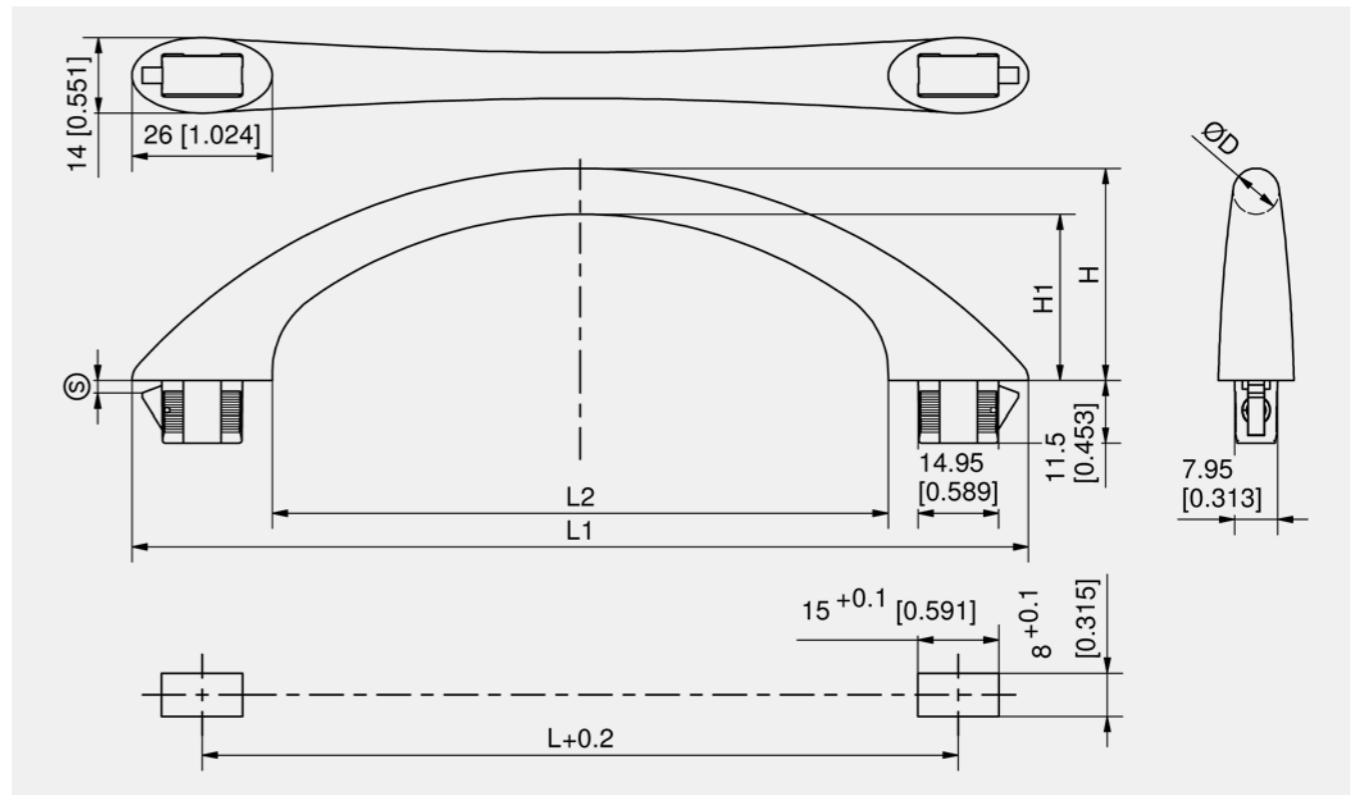
Materials

- **Handle:** zinc die, matte chrome plated
- **Other surfaces on request.**
- **Snap wedges:** sintered steel



Bridge handle

Part Number	Surface	L	L1	L2	H	Installation type	Delivery Unit
213-0303.31-00000	chrome plated	81 mm	93 mm	72 mm	22 mm	screw-on	10 pcs.
213-0303.33-00000	black	81 mm	93 mm	72 mm	22 mm	screw-on	10 pcs.
213-0302.31-00000	chrome plated	95.5 mm	106 mm	85 mm	24 mm	screw-on	10 pcs.
213-0302.33-00000	black	95.5 mm	106 mm	85 mm	24 mm	screw-on	10 pcs.



Bridge handle

Part Number	Clamping range (S)	L	L1	L2	H	H1	D	Installation type	Delivery Unit
413-9017.00-00815	0.8 - 1.5 mm	140 mm	166 mm	114 mm	39.5 mm	31 mm	8.5 mm	tool-less	10 pcs.
413-9017.00-01320	1.3 - 2.0 mm	140 mm	166 mm	114 mm	39.5 mm	31 mm	8.5 mm	tool-less	10 pcs.
413-9017.00-01522	1.5 - 2.2 mm	140 mm	166 mm	114 mm	39.5 mm	31 mm	8.5 mm	tool-less	10 pcs.
413-9018.00-00815	0.8 - 1.5 mm	180 mm	206 mm	154 mm	45.5 mm	35.5 mm	10 mm	tool-less	10 pcs.
413-9018.00-01320	1.3 - 2.0 mm	180 mm	206 mm	154 mm	45.5 mm	35.5 mm	10 mm	tool-less	10 pcs.
413-9018.00-01522	1.5 - 2.2 mm	180 mm	206 mm	154 mm	45.5 mm	35.5 mm	10 mm	tool-less	10 pcs.



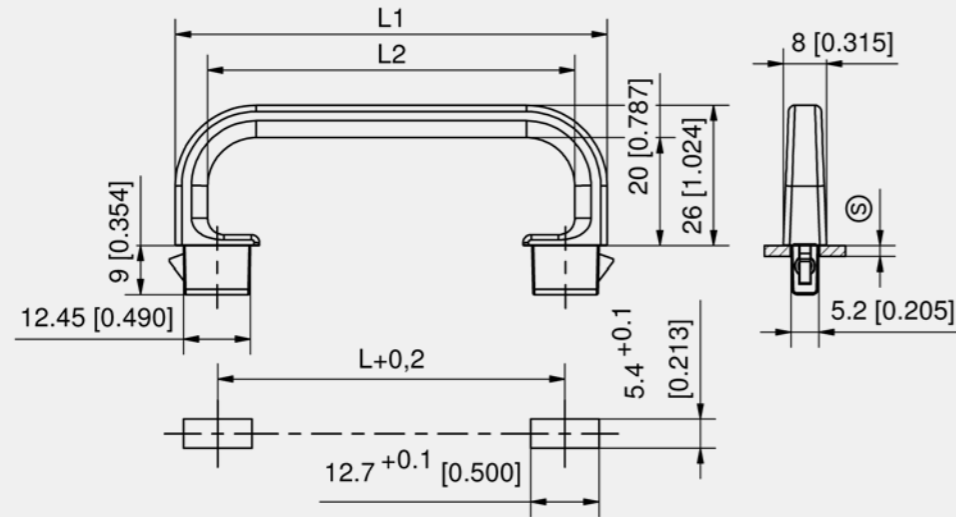


Advantages

- Elegant bridge handle with DIRAK-SNAP-Technology in different lengths.
- This handle is suitable for the computer industry, 19" technology, enclosures, equipments and other applications.
- Tool-less installation.

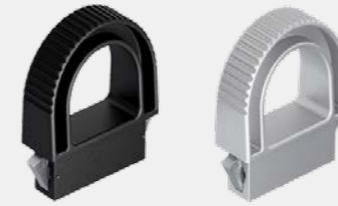
Materials

- **Bridge handle:** zinc die, matte chrome plated
- **Other surfaces on request.**
- **Snap wedges:** sintered steel



Bridge handle

Part Number	Clamping range (S)	L	L1	L2	Installation type	Delivery Unit
413-9013.40-00609	0.6 - 0.9 mm	39.3 mm	55 mm	43 mm	tool-less	10 pcs.
413-9013.40-00811	0.8 - 1.1 mm	39.3 mm	55 mm	43 mm	tool-less	10 pcs.
413-9013.40-01215	1.2 - 1.5 mm	39.3 mm	55 mm	43 mm	tool-less	10 pcs.
413-9013.40-01821	1.8 - 2.1 mm	39.3 mm	55 mm	43 mm	tool-less	10 pcs.
413-9013.40-02225	2.2 - 2.5 mm	39.3 mm	55 mm	43 mm	tool-less	10 pcs.
413-9014.40-00609	0.6 - 0.9 mm	64.3 mm	80 mm	68 mm	tool-less	10 pcs.
413-9014.40-00811	0.8 - 1.1 mm	64.3 mm	80 mm	68 mm	tool-less	10 pcs.
413-9014.40-01215	1.2 - 1.5 mm	64.3 mm	80 mm	68 mm	tool-less	10 pcs.
413-9014.40-01821	1.8 - 2.1 mm	64.3 mm	80 mm	68 mm	tool-less	10 pcs.
413-9014.40-02225	2.2 - 2.5 mm	64.3 mm	80 mm	68 mm	tool-less	10 pcs.
413-9015.40-00609	0.6 - 0.9 mm	89.3 mm	105 mm	93 mm	tool-less	10 pcs.
413-9015.40-00811	0.8 - 1.1 mm	89.3 mm	105 mm	93 mm	tool-less	10 pcs.
413-9015.40-01215	1.2 - 1.5 mm	89.3 mm	105 mm	93 mm	tool-less	10 pcs.
413-9015.40-01821	1.8 - 2.1 mm	89.3 mm	105 mm	93 mm	tool-less	10 pcs.
413-9015.40-02225	2.2 - 2.5 mm	89.3 mm	105 mm	93 mm	tool-less	10 pcs.

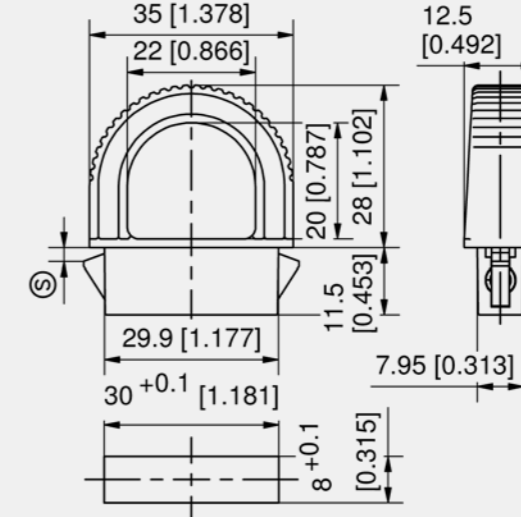


Advantages

- OMEGA small finger pull handles with DIRAK-SNAP-Technology.
- The finger pull handles are suitable for the computer industry, 19" technology, enclosures, equipments and other applications.
- Seismic-proof according to GR-63-CORE, Issue 4.
- Tool-less installation.

Materials

- **OMEGA:** zinc die, matte chrome plated or PA black
- **Other surfaces on request.**
- **Snap wedges:** sintered steel



Finger pull handle

Part Number	Clamping range (S)	Material	Surface	Installation type	Delivery Unit
413-9001.00-00015	0.8 - 1.5 mm	PA	black	tool-less	10 pcs.
413-9001.00-00020	1.3 - 2.0 mm	PA	black	tool-less	10 pcs.
413-9001.00-00022	1.5 - 2.2 mm	PA	black	tool-less	10 pcs.
413-9008.00-00015	0.8 - 1.5 mm	zinc die	matte chrome plated	tool-less	10 pcs.
413-9008.00-00020	1.3 - 2.0 mm	zinc die	matte chrome plated	tool-less	10 pcs.
413-9008.00-00022	1.5 - 2.2 mm	zinc die	matte chrome plated	tool-less	10 pcs.

Accessories	
764	292-0306.80-02530 Tool for uninstallation
763	292-0702.15-01030 Reinforcement plate for cutout



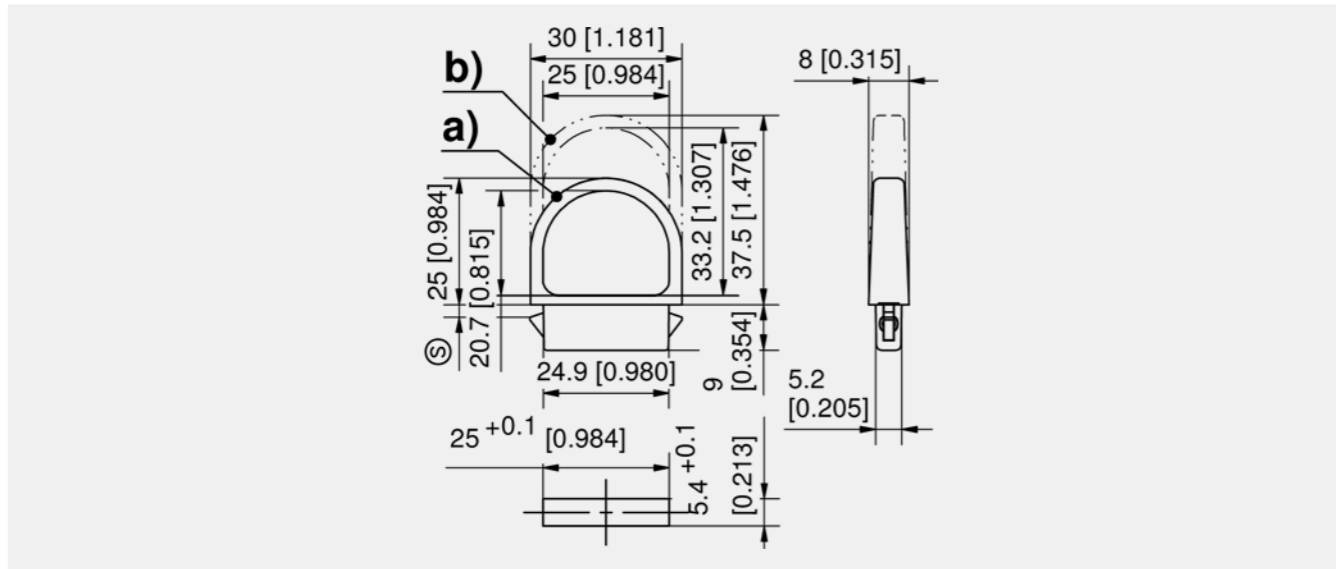


Advantages

- OMICRON small finger pull handles with DIRAK-SNAP-Technology.
- Small space requirement.
- The finger pull handles are suitable for the computer industry, 19" technology, enclosures, equipments and other applications.
- Seismic-proof according to GR-63-CORE, Issue 4.
- Tool-less installation.

Materials

- **OMICRON:** zinc die, matt chrome plated
- **Snap wedges:** sintered steel



Finger pull handle OMICRON

	Part Number	Clamping range (S)	Handle height	Installation type	Delivery Unit
a)	413-9009.40-00609	0.6 - 0.9 mm	25mm	tool-less	10 pcs.
a)	413-9009.40-00811	0.8 - 1.1 mm	25mm	tool-less	10 pcs.
a)	413-9009.40-01215	1.2 - 1.5 mm	25mm	tool-less	10 pcs.
a)	413-9009.40-01821	1.8 - 2.1 mm	25mm	tool-less	10 pcs.
a)	413-9009.40-02225	2.2 - 2.5 mm	25mm	tool-less	10 pcs.
a)	413-9009.40-02427	2.4 - 2.7 mm	25mm	tool-less	10 pcs.
b)	413-9010.40-00609	0.6 - 0.9 mm	37,5mm	tool-less	10 pcs.
b)	413-9010.40-00811	0.8 - 1.1 mm	37,5mm	tool-less	10 pcs.
b)	413-9010.40-01215	1.2 - 1.5 mm	37,5mm	tool-less	10 pcs.
b)	413-9010.40-01821	1.8 - 2.1 mm	37,5mm	tool-less	10 pcs.
b)	413-9010.40-02225	2.2 - 2.5 mm	37,5mm	tool-less	10 pcs.
b)	413-9010.40-02427	2.4 - 2.7 mm	37,5mm	tool-less	10 pcs.

Accessories	
+	764 292-0306.80-02530 Tool for uninstallation

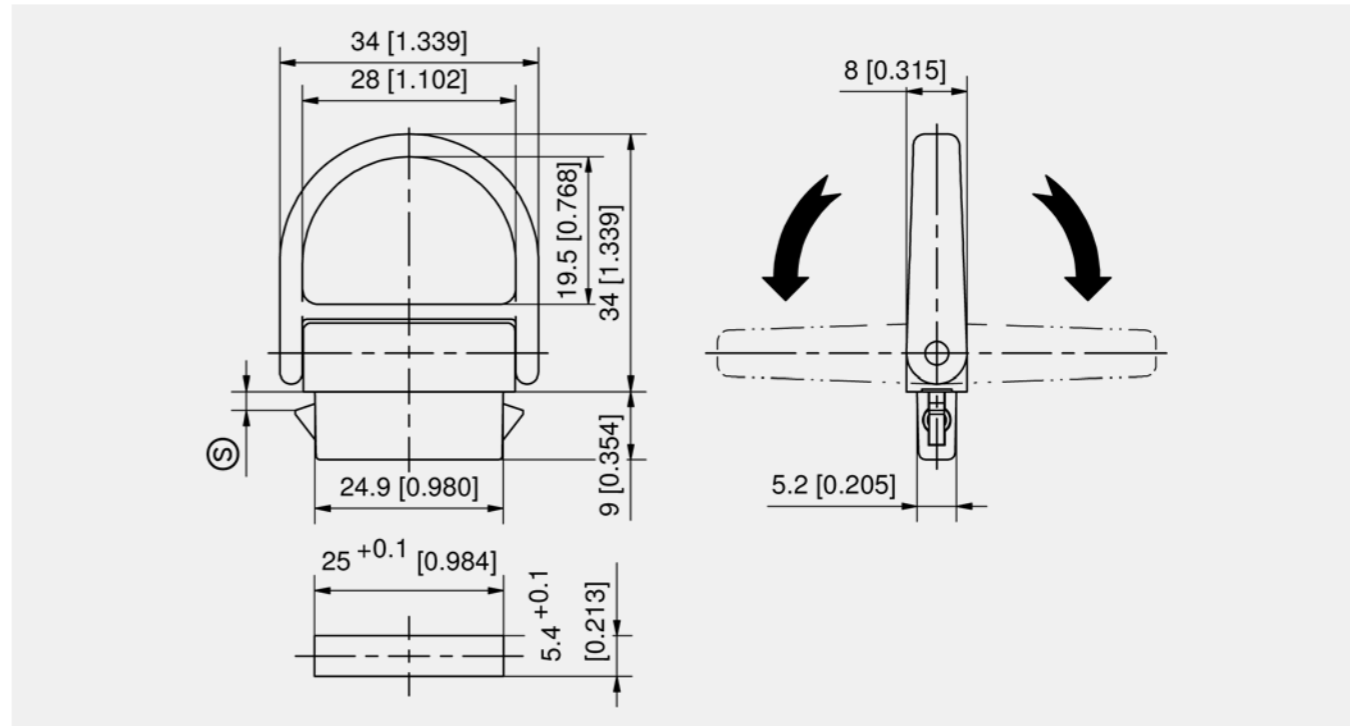


Advantages

- Finger pull with DIRAK-SNAP-Technology, sideways folding.
- Small space requirement.
- This finger pull handle is suitable for the computer industry, 19" technology, enclosures, equipments and other applications.
- Seismic-proof according to GR-63-CORE, Issue 4.
- Tool-less installation.

Materials

- **Handle- and snap-part:** zinc die, matt chrome plated
- **Other surfaces on request!**
- **Pins:** steel, zinc plated
- **Spring:** spring steel, zinc plated
- **Snap wedges:** sintered steel



Finger pull handle

	Part Number	Clamping range (S)	Installation type	Delivery Unit
	413-9016.00-00811	0.8 - 1.1 mm	tool-less	10 pcs.
	413-9016.00-01215	1.2 - 1.5 mm	tool-less	10 pcs.
	413-9016.00-01821	1.8 - 2.1 mm	tool-less	10 pcs.
	413-9016.00-02225	2.2 - 2.5 mm	tool-less	10 pcs.

Specific accessories	
+	764 292-0306.80-02530 Tool for uninstallation





Advantages

- Revolving pull handle with DIRAK-SNAP-Technology.
- This handle is suitable for the computer industry, 19" technology, enclosures, equipments and other applications.
- The corrugation shows opening tab location.
- A soft push on the tab rotates the handle into the final, open position.
- A soft push rotates the handle into the closed position, resulting in a fully flush surface.
- Tool-less installation.
- For vertical or horizontal applications.

Materials

- **Handle and dish:** PA, black
- **Pin:** steel, zinc plated
- **Snap wedges:** sintered steel

Remarks

1. mounting position (fluting at the bottom) and closed
2. open
3. handle swiveled out



Advantages

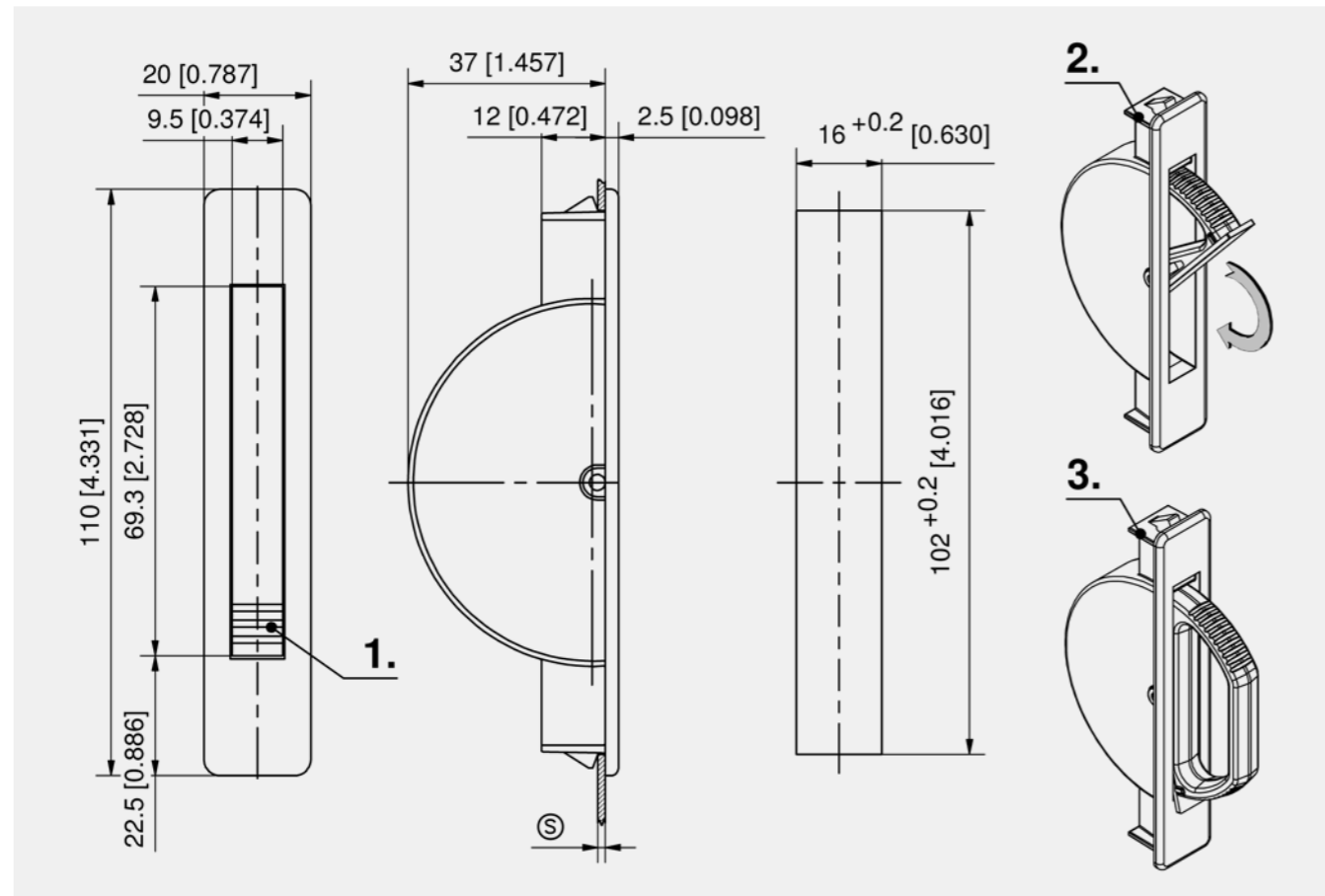
- Flush-mounted hinged, recessed handle. Zinc die with or without lock and opening angle about 60° or 80°.
- The vibration proof construction makes it possible to use this flush-mounted handle in special areas such as road vehicles and railcars/wagons.
- Unauthorized activation of the recessed hinged handle is prevented by an integrated safety quarter-turn, which is operated by means of an insert key. This handle features construction, which prevents accumulation of dirt due to the completely closed housing surface.
- For vertical or horizontal applications.

Materials

- **Hinged recessed handle:** zinc die, chrome plated or black

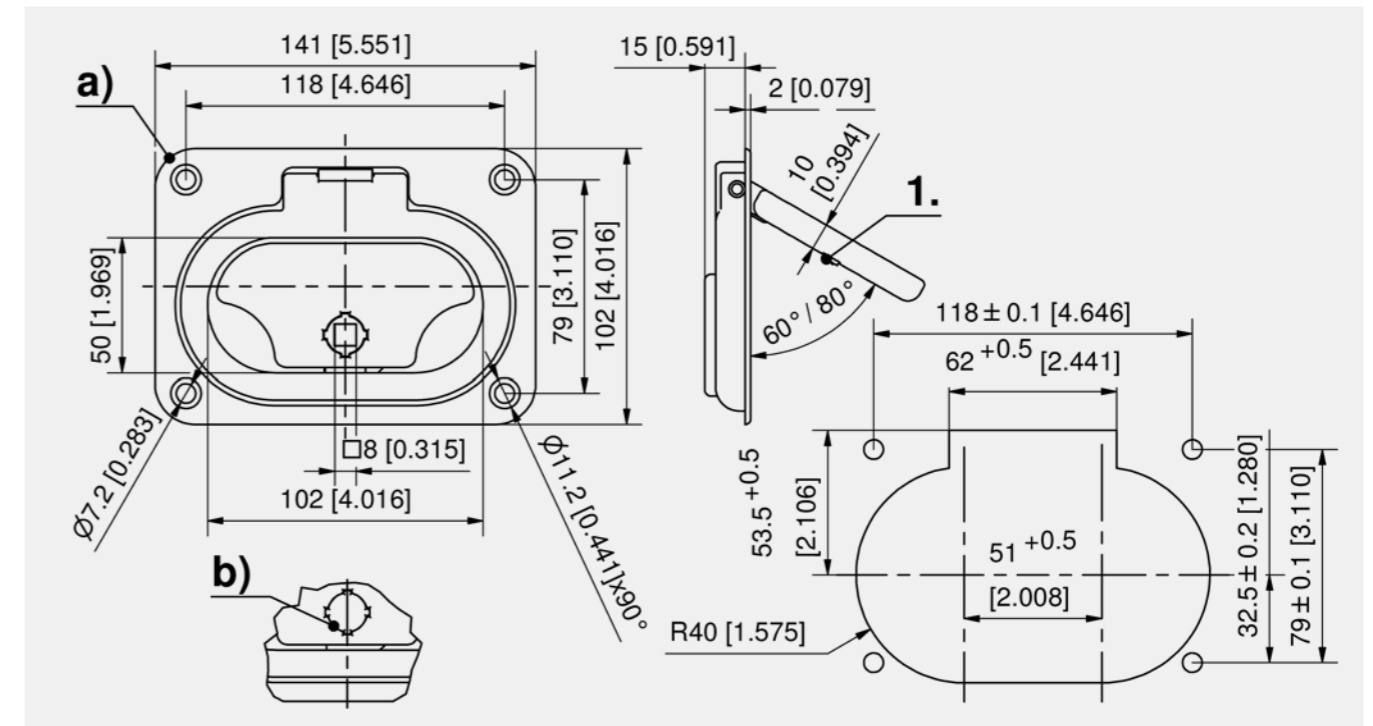
Remarks

- Weight: 510g.
1. rubber bumper



Revolving pull handle

Part Number	Clamping range (S)	Installation type	Delivery Unit
413-9005.00-00015	0.8 - 1.5 mm	tool-less	10 pcs.
413-9005.00-00020	1.3 - 2.0 mm	tool-less	10 pcs.



Hinged recessed handle, zinc die

	Part Number	Locking	Surface	Opening angle	Installation type	Delivery Unit
a)	213-9101.00-00060	yes	chrome plated	60°	screw-on	10 pcs.
a)	213-9102.00-00060	yes	black	60°	screw-on	10 pcs.
a)	213-9101.00-00080	yes	chrome plated	80°	screw-on	10 pcs.
a)	213-9102.00-00080	yes	black	80°	screw-on	10 pcs.
b)	213-9001.00-00060	without	chrome plated	60°	screw-on	10 pcs.
b)	213-9002.00-00060	without	black	60°	screw-on	10 pcs.
b)	213-9001.00-00080	without	chrome plated	80°	screw-on	10 pcs.
b)	213-9002.00-00080	without	black	80°	screw-on	10 pcs.

Specific accessories	
769	204-0103.00-00000 Wrenches
769	204-0403.03-00000 Hollow key, (logo both sides)
766	204-0701.07-07500 Universal key for Inserts





Advantages

- Can be installed without tools.
- Suitable for different door-thicknesses.

Materials

- Dish handle: PA, black

Remarks

The dimensions of the cutouts for different door-thicknesses are indicated in the table.



Advantages

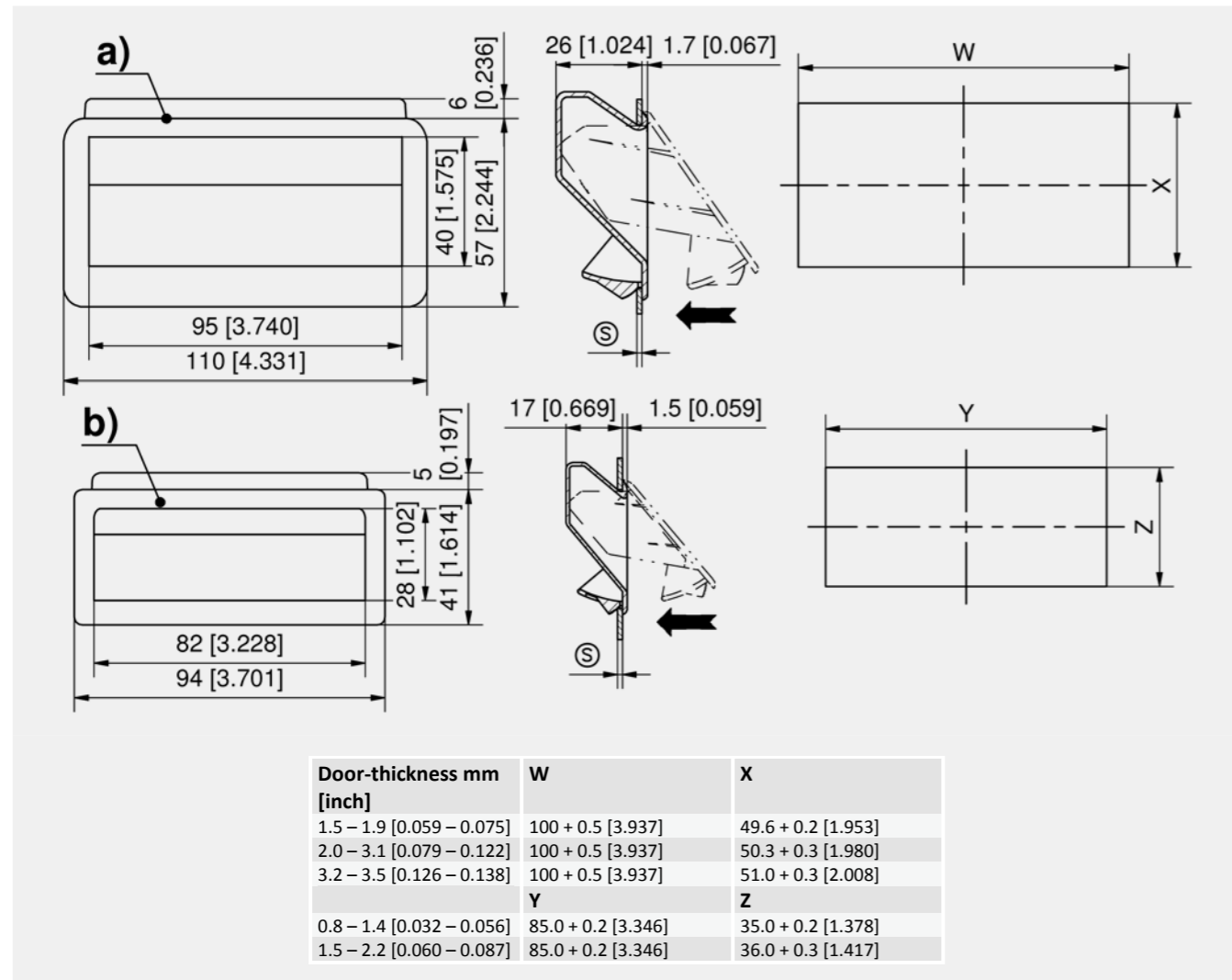
- Recessed handle with DIRAK-SNAP-Technology.
- Almost flush.
- Great handle recess.
- IP65 according to DIN EN 60529.
- Tool-less installation.

Materials

- Recessed handle: PA, grey
- Snap wedges: sintered steel
- Sealing: EPDM, closed-cell

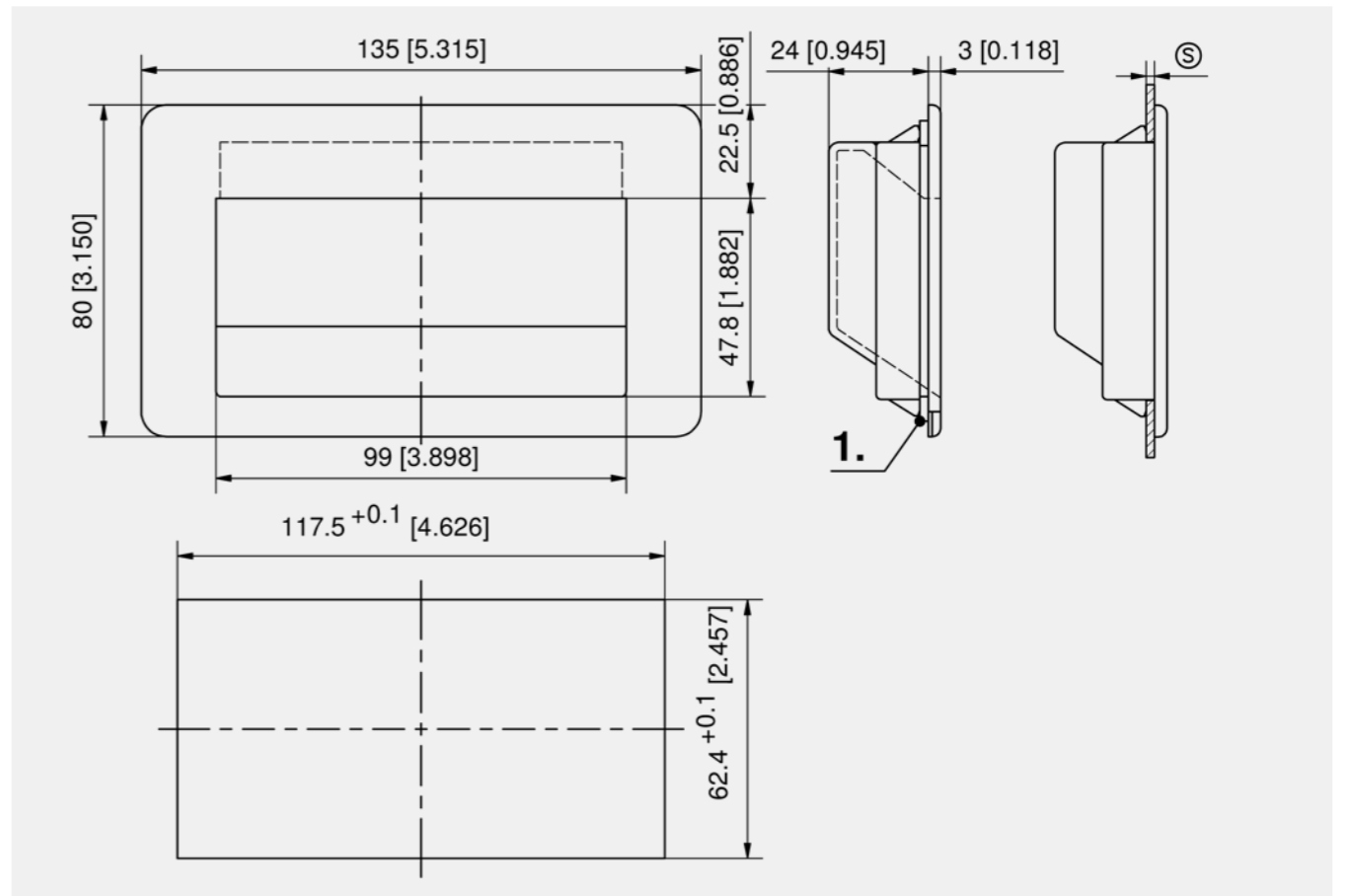
Remarks

- self-adhesive seal



Recessed handle

Part Number	Dimension	Installation type	Delivery Unit
a) 213-0705.51-00000	110 x 57 mm	clip-in	10 pcs.
b) 213-0703.03-00000	94 x 41 mm	clip-in	10 pcs.



Recessed handle

Part Number	Dimension	Clamping range (S)	Installation type	Delivery Unit
352-2161.03-000CF	135 x 80 mm	1.0 - 1.7 mm	tool-less	10 pcs.
352-2161.03-000CJ	135 x 80 mm	1.8 - 2.5 mm	tool-less	10 pcs.





Advantages

- Handle with Ø30mm in various lengths.
- The Ø30mm diameter of the tube guarantees a sure and firm grip.
- Precise and tight fit of the tube in the center support and the end pieces.
- For vertical or horizontal applications.

Materials

- **End piece, wall end piece and center support:** PA, black

Remarks

Fastening by hex. socket head cap screws M8, or hex. screws or with countersunk screws M8.
For the total size, please add 68mm to the tube length.
For wall fastening please take the end piece b).
The center support is optional, but should be applied for tube length over 466mm.



Advantages

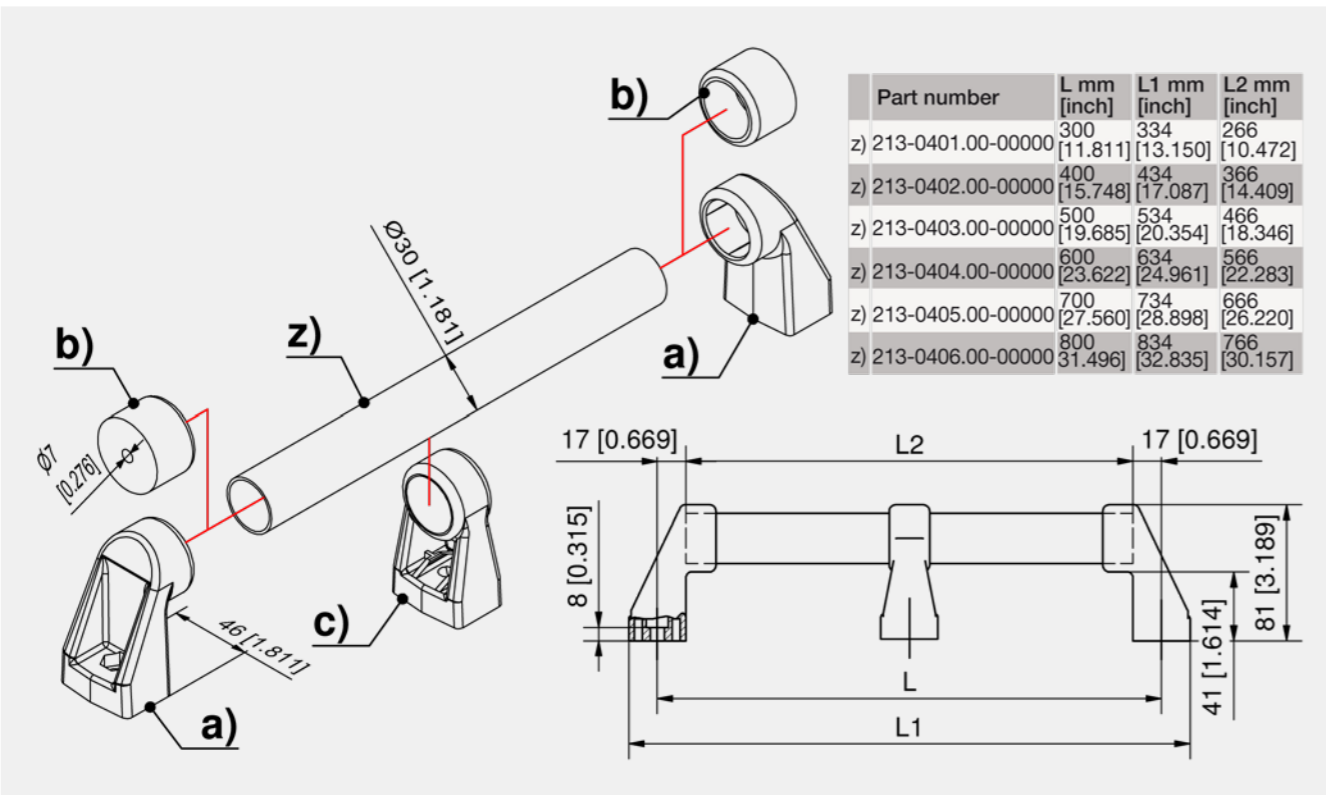
- Handle with Ø30mm tube-bar with DIRAK-SNAP-Technology in various lengths.
- Insensitive to dirt and easy to clean.
- Inside radii min. 5mm.
- The Ø30mm diameter of the tube guarantees a sure and firm grip.
- Precise and tight fit of the tube in the center support and the end pieces.
- Tool-less installation.
- For vertical or horizontal applications.

Materials

- **End piece, center support:** PA, black
- **Snap wedges:** sintered steel

Remarks

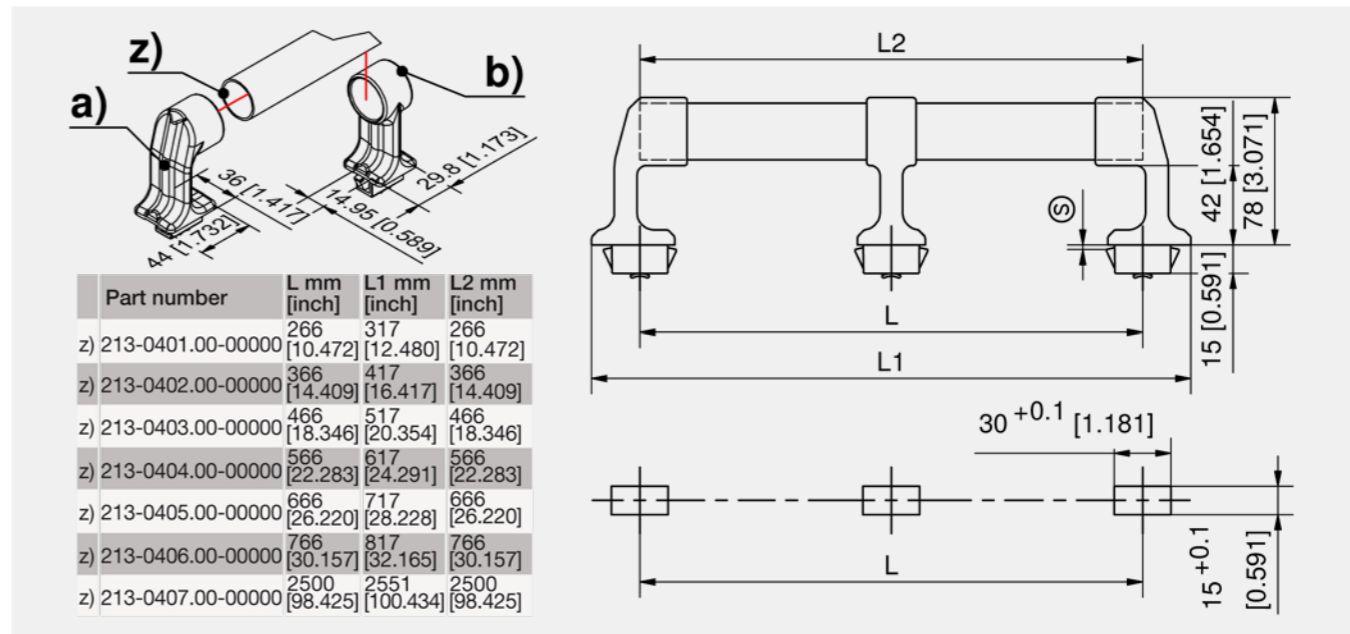
For the total size, please add 51mm to the tube length.
The center support is optional, but should be applied for tube length over 466mm.



Fastening for handle

	Part Number	Handle element	Delivery Unit
a)	213-0101.03-00000	End piece	10 pcs.
b)	213-0107.03-00000	Wall end piece	10 pcs.
c)	213-0102.03-00000	Center support	10 pcs.

Accessories	
z)	213-0401.00-00000 Steel tube, 266mm
z)	213-0402.00-00000 Steel tube, 366mm
z)	213-0403.00-00000 Steel tube, 466mm
z)	213-0404.00-00000 Steel tube, 566mm
z)	213-0405.00-00000 Steel tube, 666mm
z)	213-0406.00-00000 Steel tube, 766mm
z)	213-0407.00-00000 Steel tube, 2500mm
z)	213-0408.00-Lxmmm Steel tube, variable length



Fastening for handle

	Part Number	Name	Clamping range (S)	Installation type	Delivery Unit
a)	413-9101.00-00015	End piece	1.2 - 1.7 mm	tool-less	10 pcs.
a)	413-9101.00-00020	End piece	1.7 - 2.2 mm	tool-less	10 pcs.
a)	413-9101.00-00025	End piece	2.2 - 2.7 mm	tool-less	10 pcs.
a)	413-9101.00-00030	End piece	2.7 - 3.2 mm	tool-less	10 pcs.
b)	413-9102.00-00015	Center support	1.2 - 1.7 mm	tool-less	10 pcs.
b)	413-9102.00-00020	Center support	1.7 - 2.2 mm	tool-less	10 pcs.
b)	413-9102.00-00025	Center support	2.2 - 2.7 mm	tool-less	10 pcs.
b)	413-9102.00-00030	Center support	2.7 - 3.2 mm	tool-less	10 pcs.

Accessories	
764	292-0301.15-00000 Tool for uninstallation
764	292-0306.80-02530 Tool for uninstallation
763	292-0701.15-01530 Reinforcement plate for cutout
z)	213-0401.00-00000 Steel tube, 266mm
z)	213-0402.00-00000 Steel tube, 366mm
z)	213-0403.00-00000 Steel tube, 466mm
z)	213-0404.00-00000 Steel tube, 566mm
z)	213-0405.00-00000 Steel tube, 666mm
z)	213-0406.00-00000 Steel tube, 766mm





Advantages

- Handle, bent with Ø30mm in various length.
- This handle is suitable for large and heavy doors and controlling enclosures.
- The Ø30mm diameter of the tube guarantees a sure and firm grip.
- Precise and tight fit of the tube in the end pieces.
- For vertical or horizontal applications.

Materials

- **End piece:** PA, black

Remarks

Fastening by hex. socket head cap screws M8, or hex. screws or with countersunk screws M8.
For the total size, please add 10mm to the tube length.
If needed center support and wall end piece from handle 6-1600.01 can be used.

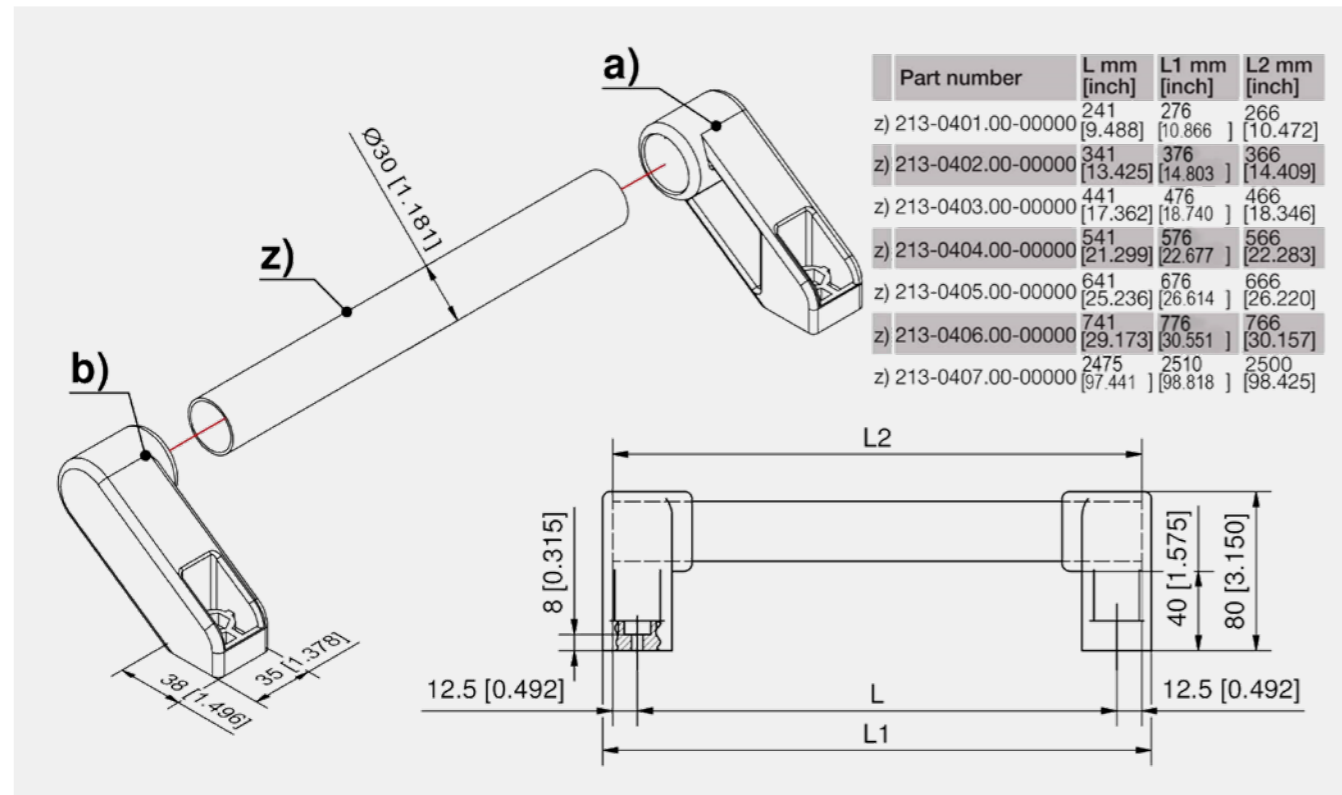


Advantages

- Flat grip handles with DIRAK-SNAP-Technology for 19" technology.
- Small space requirement.
- Suitable for enclosures, equipments and other applications.
- Tool-less installation.
- For vertical or horizontal applications.

Materials

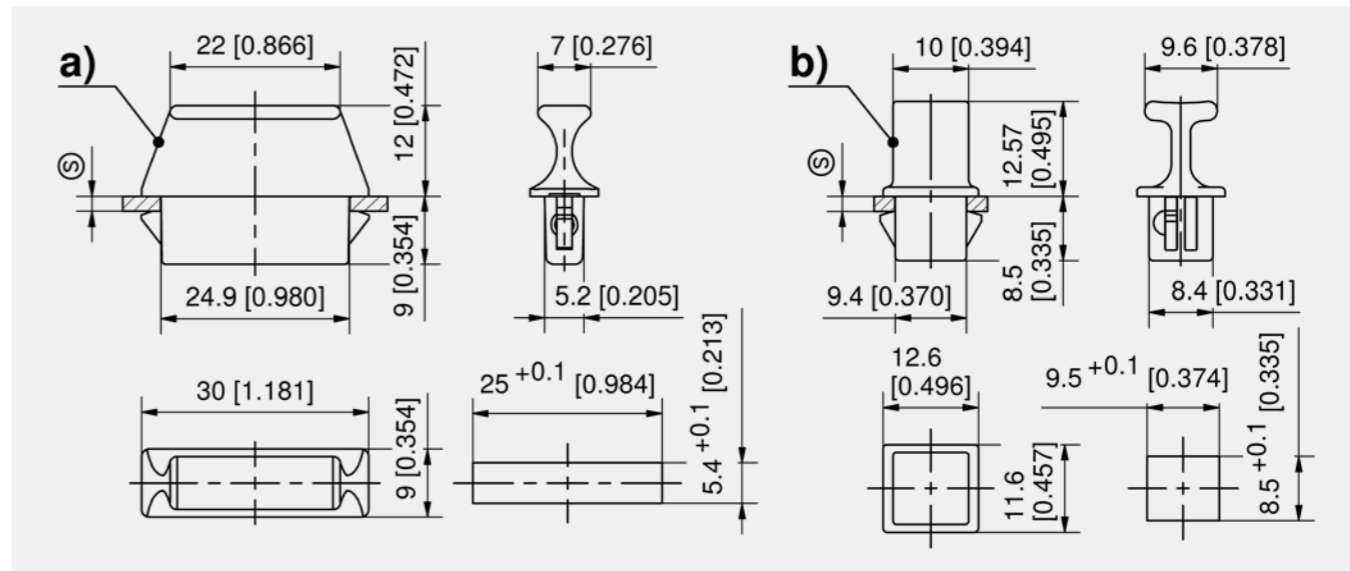
- **Grip handle:** zinc die, matt chrome plated or black
- **Other surfaces on request.**
- **Snap wedges:** sintered steel



Fastening for handle

Part Number	Handle element	Delivery Unit
a) 213-0103.03-00000	End piece, bent, RH	10 pcs.
b) 213-0104.03-00000	End piece, bent, LH	10 pcs.

Accessories	
z)	213-0401.00-00000 Steel tube, 266mm
z)	213-0402.00-00000 Steel tube, 366mm
z)	213-0403.00-00000 Steel tube, 466mm
z)	213-0404.00-00000 Steel tube, 566mm
z)	213-0405.00-00000 Steel tube, 666mm
z)	213-0406.00-00000 Steel tube, 766mm
z)	213-0407.00-00000 Steel tube, 2500mm
z)	213-0408.00-Lxmmm Steel tube, variable length



Grip handle, zinc die

	Part Number	Clamping range (S)	Cutout	Surface	Installation type	Delivery Unit
a)	413-9201.00-00609	0.6 - 0.9 mm	25 x 5.4	matte chrome plated	tool-less	10 pcs.
a)	413-9201.00-00811	0.8 - 1.1 mm	25 x 5.4	matte chrome plated	tool-less	10 pcs.
a)	413-9201.00-01215	1.2 - 1.5 mm	25 x 5.4	matte chrome plated	tool-less	10 pcs.
a)	413-9201.00-01821	1.8 - 2.1 mm	25 x 5.4	matte chrome plated	tool-less	10 pcs.
a)	413-9201.00-02225	2.2 - 2.5 mm	25 x 5.4	matte chrome plated	tool-less	10 pcs.
b)	413-9202.00-00810	0.8 - 1.0 mm	9.5 x 8.5	matte chrome plated	tool-less	10 pcs.
b)	413-9202.00-01113	1.1 - 1.3 mm	9.5 x 8.5	matte chrome plated	tool-less	10 pcs.
b)	413-9202.00-01215	1.2 - 1.5 mm	9.5 x 8.5	matte chrome plated	tool-less	10 pcs.
b)	413-9202.00-02022	2.2 - 2.5 mm	9.5 x 8.5	matte chrome plated	tool-less	10 pcs.
b)	413-9203.00-00810	0.8 - 1.0 mm	9.5 x 8.5	black	tool-less	10 pcs.
b)	413-9203.00-01113	1.1 - 1.3 mm	9.5 x 8.5	black	tool-less	10 pcs.
b)	413-9203.00-01215	1.2 - 1.5 mm	9.5 x 8.5	black	tool-less	10 pcs.
b)	413-9203.00-02022	2.2 - 2.5 mm	9.5 x 8.5	black	tool-less	10 pcs.

Specific accessories	
+	764 292-0306.80-02530 Tool for uninstallation





		All (=black) / some (=gray) products on this page have this feature	
		DIRAK-SNAP-Technology	
		Tool-less installation	
		Product line base	
		Stainless steel / Hygienic design	
		UL-listed materials	
		UR / UL certification	
		Pr14.1: cutout size 14.1 mm / Pr20.1: cutout size 20.1 mm	
			Standard cutout size swinghandle
			Safety-tested in accordance with DIN EN 1627
			Shock- and vibration-tested in accordance with DIN EN 61373
			Product suitable for round rod / flat rod
			Captive seal: foamed PUR seal / pressed in o-ring
			Profile half-cylinder in accordance with DIN 18252
			RH / LH application
			Door nested, hinge visible / invisible
			Door surface-mounted, hinge visible / partly visible / invisible
			Individual or adjacent cabinets
			Opening angle of hinges from 90° to 270°
			Hinge lift-off
			Product is grounded if correctly installed
			IP protection classes 54, 65, 67, 66, 69K as respectively indicated
			Maximum recommended tightening torque for securing nuts of the quarter-turns
			Max. recommended tightening torque for the serrated screw
			Conforms to RoHS and WEEE directives
			Function extension / Accessories and Specific accessories / Assembly options

Explanation of the symbols:
Please unfold.

Data status: September 2022
Part No. 910-0101.02-00000

This catalog is subject to technical changes. We accept no liability for any misprints. Our general terms and conditions apply exclusively for all deliveries. Reproduction or publication – even in part – is only permitted with our approval.

All measurements in the catalog are given in mm.

Design: jungepartner.de

DIRAK GmbH
Königsfelder Straße 1
58256 Ennepetal
+49 (0) 2333 / 837-0
info@dirak.de

DIRAK.com
ELINEBYDIRAK.com