

FinAlu® continuous hinge

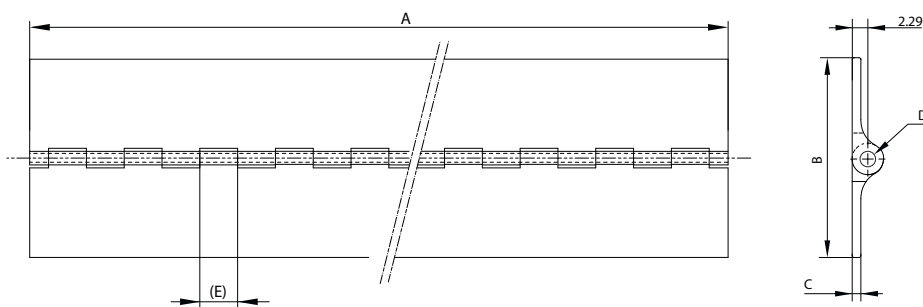


Continuous hinges in aluminium profile with a small pin diameter.
 This nice design can be used in many applications (medical, electronic enclosures, food equipment, transportation...).

These hinges have the same dimensions as hinges used in the aircraft industry.



Part number	Material	Finish	A	B	C	D	E	Pin material	Note	Weight (g)
72-1-4243	6082 T5 alu	clear anodised	915	31.75	1.3	2.2	12.7	stainless steel	undrilled	150
NS 72-1-4338	6082 T5 alu	blue anodised	915	31.75	1.3	2.2	12.7	stainless steel	undrilled	150
NS 72-1-4339	6082 T5 alu	red anodised	915	31.75	1.3	2.2	12.7	stainless steel	undrilled	150
NS 72-1-4340	6082 T5 alu	bronze anodised	915	31.75	1.3	2.2	12.7	stainless steel	undrilled	150
NS 72-1-4341	6082 T5 alu	gold anodised	915	31.75	1.3	2.2	12.7	stainless steel	undrilled	150
72-1-4244	6082 T5 alu	raw	1830	31.75	1.3	2.2	12.7	stainless steel	undrilled	300
72-1-4245	6082 T5 alu	clear anodised	915	44.45	1.3	2.2	12.7	stainless steel	undrilled	190
NS 72-1-4342	6082 T5 alu	blue anodised	915	44.45	1.3	2.2	12.7	stainless steel	undrilled	190
NS 72-1-4343	6082 T5 alu	red anodised	915	44.45	1.3	2.2	12.7	stainless steel	undrilled	190
NS 72-1-4344	6082 T5 alu	bronze anodised	915	44.45	1.3	2.2	12.7	stainless steel	undrilled	190
NS 72-1-4345	6082 T5 alu	gold anodised	915	44.45	1.3	2.2	12.7	stainless steel	undrilled	190
72-1-4246	6082 T5 alu	raw	1830	44.45	1.3	2.2	12.7	stainless steel	undrilled	380
72-1-4247	6082 T5 alu	clear anodised	915	63.5	1.3	2.2	12.7	stainless steel	undrilled	250
NS 72-1-4346	6082 T5 alu	blue anodised	915	63.5	1.3	2.2	12.7	stainless steel	undrilled	250
NS 72-1-4347	6082 T5 alu	red anodised	915	63.5	1.3	2.2	12.7	stainless steel	undrilled	250
NS 72-1-4348	6082 T5 alu	bronze anodised	915	63.5	1.3	2.2	12.7	stainless steel	undrilled	250
NS 72-1-4349	6082 T5 alu	gold anodised	915	63.5	1.3	2.2	12.7	stainless steel	undrilled	250
72-1-4248	6082 T5 alu	raw	1830	63.5	1.3	2.2	12.7	stainless steel	undrilled	500



Small FinAlu® hinges



Small hinges in aluminium profile with a small pin diameter.

This nice design can be used in many applications:

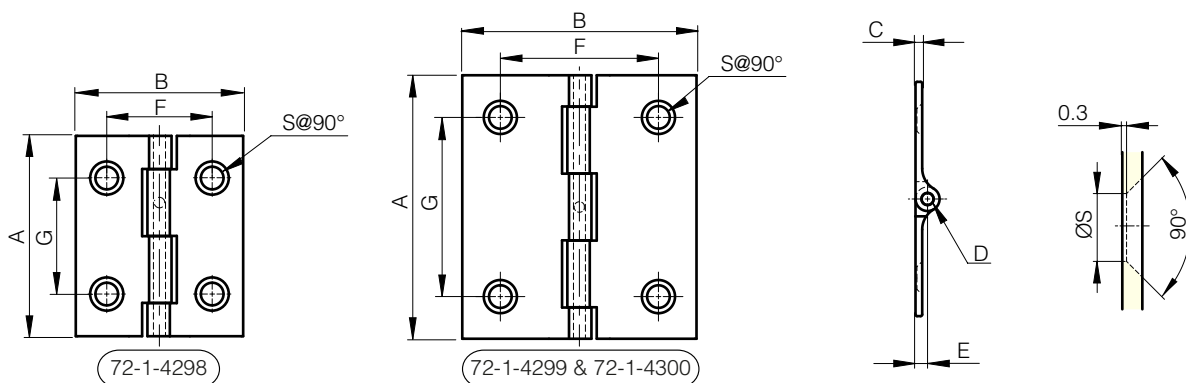
(medical, electronic enclosures, food equipment, transportation...).

These drilled hinges have same features as FinAlu® continuous hinges.

They have the similar dimensions to hinges used in the aircraft industry.



Part number	Material	Finish	A	B	C	D	E	F	G	S	Pin material	Weight (g)
72-1-4298	6082 T5 alu	clear anodised	38	31.75	1.3	2.29	2.29	20	22	4.3	stainless steel	5
NS 72-1-4350	6082 T5 alu	blue anodised	38	31.75	1.3	2.29	2.29	20	22	4.3	stainless steel	5
NS 72-1-4351	6082 T5 alu	red anodised	38	31.75	1.3	2.29	2.29	20	22	4.3	stainless steel	5
NS 72-1-4352	6082 T5 alu	bronze anodised	38	31.75	1.3	2.29	2.29	20	22	4.3	stainless steel	5
NS 72-1-4353	6082 T5 alu	gold anodised	38	31.75	1.3	2.29	2.29	20	22	4.3	stainless steel	5
72-1-4299	6082 T5 alu	clear anodised	50	44.45	1.3	2.29	2.29	30	34	4.3	stainless steel	9
NS 72-1-4354	6082 T5 alu	blue anodised	50	44.45	1.3	2.29	2.29	30	34	4.3	stainless steel	9
NS 72-1-4355	6082 T5 alu	red anodised	50	44.45	1.3	2.29	2.29	30	34	4.3	stainless steel	9
NS 72-1-4356	6082 T5 alu	bronze anodised	50	44.45	1.3	2.29	2.29	30	34	4.3	stainless steel	9
NS 72-1-4357	6082 T5 alu	gold anodised	50	44.45	1.3	2.29	2.29	30	34	4.3	stainless steel	9
72-1-4300	6082 T5 alu	clear anodised	63.5	63.5	1.3	2.29	2.29	40	40	6	stainless steel	15
NS 72-1-4358	6082 T5 alu	blue anodised	63.5	63.5	1.3	2.29	2.29	40	40	6	stainless steel	15
NS 72-1-4359	6082 T5 alu	red anodised	63.5	63.5	1.3	2.29	2.29	40	40	6	stainless steel	15
NS 72-1-4360	6082 T5 alu	bronze anodised	63.5	63.5	1.3	2.29	2.29	40	40	6	stainless steel	15
NS 72-1-4361	6082 T5 alu	gold anodised	63.5	63.5	1.3	2.29	2.29	40	40	6	stainless steel	15



Hinges with dual function

Spring hinges - aluminium profile

Spring hinges - aluminium profile 0.20 N.m - diameter 8



Opening spring force:

M(0°): 0.23 N.m / M(90°): 0.15 N.m / M(180°): 0.08 N.m

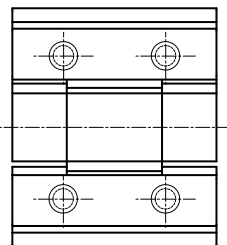
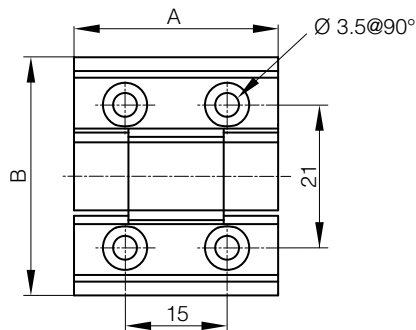
Closing spring force:

M(0°): 0.08 N.m / M(90°): 0.15 N.m / M(180°): 0.23 N.m

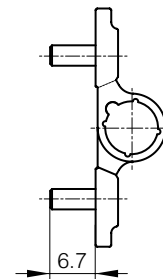
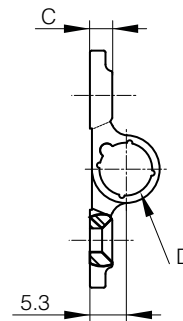
2 other versions available: with friction or with detent mechanism.



	Part number	Material	Finish	A	B	C	D	Note	Weight (g)
	72-1-4256	6060 T5 alu	clear anodised	30	35	3.3	8	opening spring	10
NS	72-1-4318	6060 T5 alu	clear anodised	30	35	3.3	8	opening spring / with M3 studs	13
	72-1-4257	6060 T5 alu	black anodised	30	35	3.3	8	opening spring	10
NS	72-1-4319	6060 T5 alu	black anodised	30	35	3.3	8	opening spring / with M3 studs	13
	72-1-4275	6060 T5 alu	clear anodised	30	35	3.3	8	closing spring	10
NS	72-1-4333	6060 T5 alu	clear anodised	30	35	3.3	8	closing spring / with M3 studs	13
	72-1-4276	6060 T5 alu	black anodised	30	35	3.3	8	closing spring	10
NS	72-1-4334	6060 T5 alu	black anodised	30	35	3.3	8	closing spring / with M3 studs	13



72-1-4318 & 72-1-4319
72-1-4333 & 72-1-4334





Hinges with dual function

Spring hinges - aluminium profile

Spring hinges - aluminium profile 0.50 N.m - diameter 8

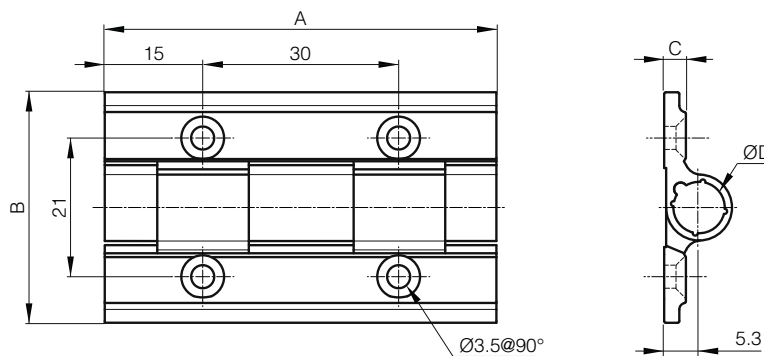


Opening spring force:

M(0°): 0.48 N.m / M(90°): 0.3 N.m / M(180°): 0.16 N.m



	Part number	Material	Finish	A	B	C	D	Note	Weight (g)
NEW	72-1-4309	6060 T5 alu	clear anodised	60	35	3.3	8	opening spring	20
NEW	72-1-4310	6060 T5 alu	black anodised	60	35	3.3	8	opening spring	20



Hinges with dual function

Spring hinges - aluminium profile

Spring hinges - aluminium profile 0.70 N.m - diameter 8

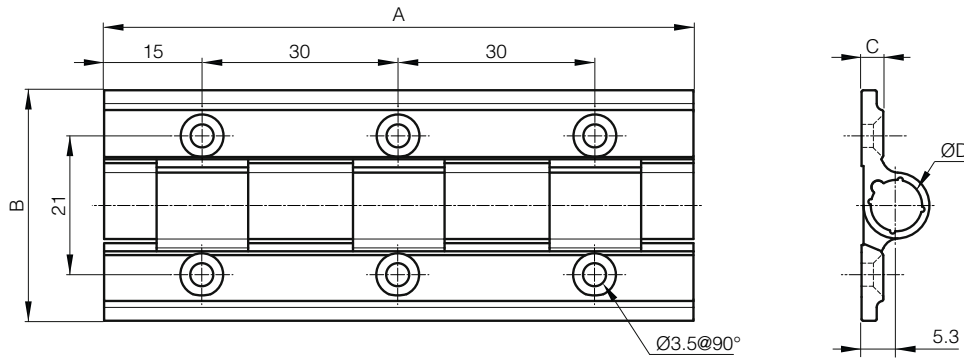


Opening spring force:

M(0°): 0.7 N.m / M(90°): 0.5 N.m / M(180°): 0.3 N.m



	Part number	Material	Finish	A	B	C	D	Note	Weight (g)
NEW	72-1-4314	6060 T5 alu	clear anodised	90	35	3.3	8	opening spring	30
NEW	72-1-4315	6060 T5 alu	black anodised	90	35	3.3	8	opening spring	30





Hinges with dual function

Spring hinges - aluminium profile

Spring hinges - aluminium profile 0.90 N.m - diameter 8

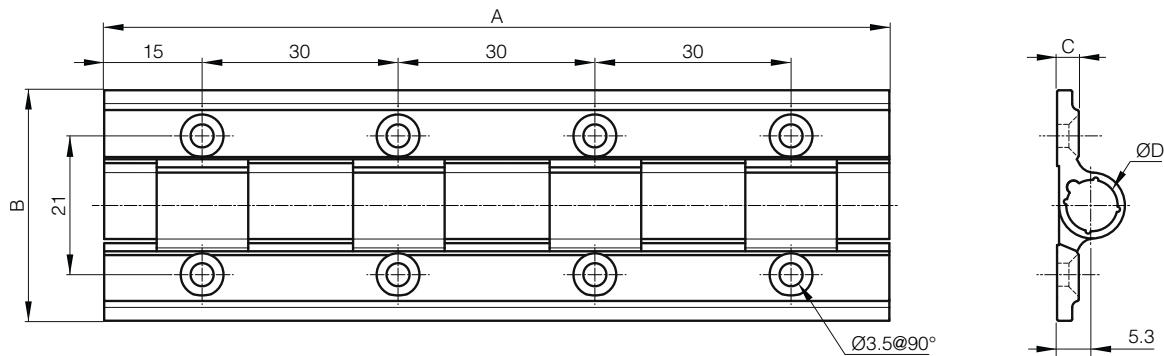


Opening spring force:

M(0°): 0.92 N.m / M(90°): 0.7 N.m / M(180°): 0.44 N.m



	Part number	Material	Finish	A	B	C	D	Note	Weight (g)
NEW	72-1-4316	6060 T5 alu	clear anodised	120	35	3.3	8	opening spring	40
NEW	72-1-4317	6060 T5 alu	black anodised	120	35	3.3	8	opening spring	40



Hinges with dual function

Spring hinges - aluminium profile

Spring hinges - aluminium profile 0.35 N.m - diameter 13



Opening spring force:

M(0°): 0.35 N.m / M(90°): 0.24 N.m / M(180°): 0.12 N.m

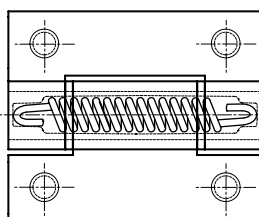
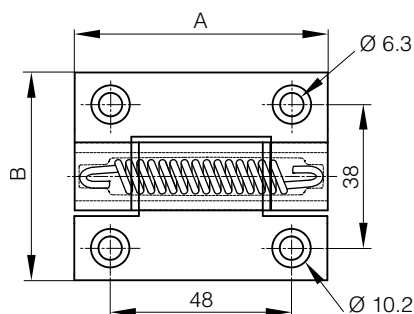
Closing spring force:

M(0°): 0.12 N.m / M(90°): 0.24 N.m / M(180°): 0.35 N.m

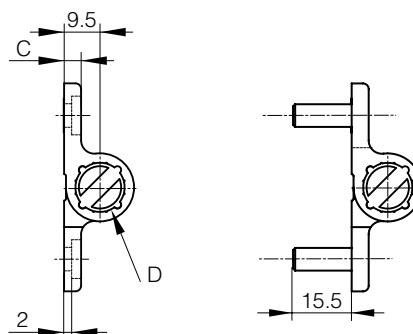
3 other versions available: free swinging, with friction or with detent mechanism.



Part number	Material	Finish	A	B	C	D	Note	Weight (g)
72-1-4220	6060 T5 alu	clear anodised	67	55	4.5	13	opening spring	60
72-1-4221	6060 T5 alu	black anodised	67	55	4.5	13	opening spring	60
72-1-4292	6060 T5 alu	clear anodised	67	55	4.5	13	opening spring/ delivered flat	60
NS 72-1-4366	6060 T5 alu	blue anodised	67	55	4.5	13	opening spring/ delivered flat	60
NS 72-1-4367	6060 T5 alu	red anodised	67	55	4.5	13	opening spring/ delivered flat	60
NS 72-1-4368	6060 T5 alu	bronze anodised	67	55	4.5	13	opening spring/ delivered flat	60
NS 72-1-4369	6060 T5 alu	gold anodised	67	55	4.5	13	opening spring/ delivered flat	60
NEW 72-1-4323	6060 T5 alu	clear anodised	67	55	4.5	13	opening spring/ delivered flat / with M6 studs	80
72-1-4293	6060 T5 alu	black anodised	67	55	4.5	13	opening spring/ delivered flat	61
NEW 72-1-4324	6060 T5 alu	black anodised	67	55	4.5	13	opening spring/ delivered flat / with M6 studs	80
72-1-4286	6060 T5 alu	clear anodised	67	55	4.5	13	closing spring	60
NS 72-1-4370	6060 T5 alu	blue anodised	67	55	4.5	13	closing spring	60
NS 72-1-4371	6060 T5 alu	red anodised	67	55	4.5	13	closing spring	60
NS 72-1-4372	6060 T5 alu	bronze anodised	67	55	4.5	13	closing spring	60
NS 72-1-4373	6060 T5 alu	gold anodised	67	55	4.5	13	closing spring	60
NS 72-1-4336	6060 T5 alu	clear anodised	67	55	4.5	13	closing spring / with M6 studs	79
72-1-4287	6060 T5 alu	black anodised	67	55	4.5	13	closing spring	60
NS 72-1-4337	6060 T5 alu	black anodised	67	55	4.5	13	closing spring / with M6 studs	79



72-1-4323 & 72-1-4324
72-1-4336 & 72-1-4337



Hinges with dual function

Spring hinges - aluminium profile

Spring hinges - aluminium profile 0.70 N.m - diameter 13



Opening spring force:

M(0°): 0.7 N.m / M(90°): 0.45 N.m / M(180°): 0.23 N.m

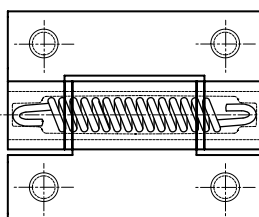
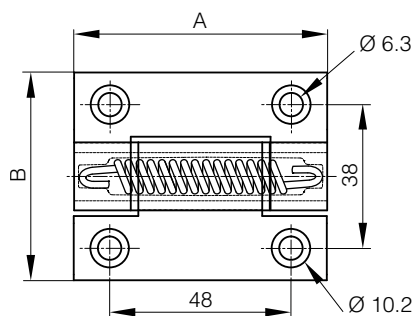
Closing spring force:

M(0°): 0.23 N.m / M(90°): 0.45 N.m / M(180°): 0.7 N.m

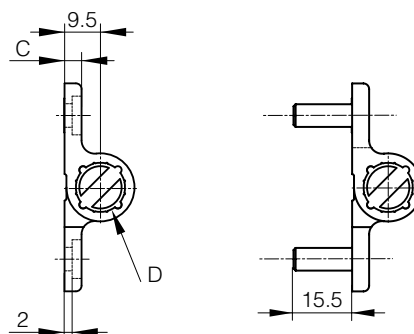
3 other versions available: free swinging, with friction or with detent mechanism.



Part number	Material	Finish	A	B	C	D	Note	Weight (g)
72-1-4218	6060 T5 alu	clear anodised	67	55	4.5	13	opening spring	65
72-1-4219	6060 T5 alu	black anodised	67	55	4.5	13	opening spring	65
72-1-4294	6060 T5 alu	clear anodised	67	55	4.5	13	opening spring / delivered flat	66
NS 72-1-4374	6060 T5 alu	blue anodised	67	55	4.5	13	opening spring / delivered flat	66
NS 72-1-4375	6060 T5 alu	red anodised	67	55	4.5	13	opening spring / delivered flat	66
NS 72-1-4376	6060 T5 alu	bronze anodised	67	55	4.5	13	opening spring / delivered flat	66
NS 72-1-4377	6060 T5 alu	gold anodised	67	55	4.5	13	opening spring / delivered flat	66
NEW 72-1-4325	6060 T5 alu	clear anodised	67	55	4.5	13	opening spring / delivered flat / with M6 studs	85
72-1-4295	6060 T5 alu	black anodised	67	55	4.5	13	opening spring / delivered flat	66
NEW 72-1-4326	6060 T5 alu	black anodised	67	55	4.5	13	opening spring / delivered flat / with M6 studs	85
72-1-4272	6060 T5 alu	clear anodised	67	55	4.5	13	closing spring	65
NS 72-1-4378	6060 T5 alu	blue anodised	67	55	4.5	13	closing spring	65
NS 72-1-4379	6060 T5 alu	red anodised	67	55	4.5	13	closing spring	65
NS 72-1-4380	6060 T5 alu	bronze anodised	67	55	4.5	13	closing spring	65
NS 72-1-4381	6060 T5 alu	gold anodised	67	55	4.5	13	closing spring	65
NEW 72-1-4322	6060 T5 alu	clear anodised	67	55	4.5	13	closing spring / with M6 studs	84
72-1-4273	6060 T5 alu	black anodised	67	55	4.5	13	closing spring	65
NS 72-1-4335	6060 T5 alu	black anodised	67	55	4.5	13	closing spring / with M6 studs	84



72-1-4322 & 72-1-4325
72-1-4326 & 72-1-4335



Hinges with dual function

Spring hinges - aluminium profile

Spring hinges - aluminium profile 1.3 N.m - diameter 13



Opening spring force:

M(0°): 1.3 N.m / M(90°): 1.1 N.m / M(180°): 0.9 N.m

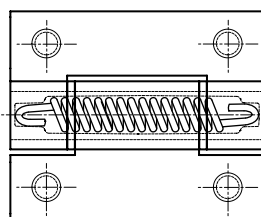
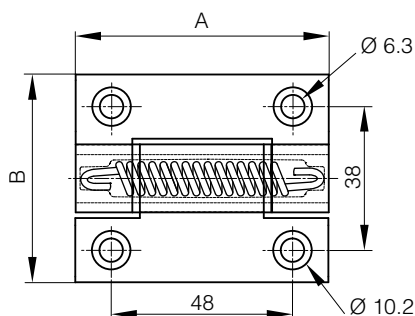
Closing spring force:

M(0°): 0.5 N.m / M(90°): 0.7 N.m / M(180°): 1 N.m

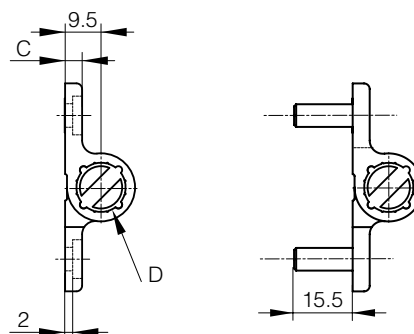
3 other versions available: free swinging, with friction or with detent mechanism.



Part number	Material	Finish	A	B	C	D	Note	Weight (g)
72-1-4222	6060 T5 alu	clear anodised	67	55	4.5	13	opening spring	67
72-1-4223	6060 T5 alu	black anodised	67	55	4.5	13	opening spring	67
72-1-4296	6060 T5 alu	clear anodised	67	55	4.5	13	opening spring / delivered flat	68
NS 72-1-4382	6060 T5 alu	blue anodised	67	55	4.5	13	opening spring / delivered flat	68
NS 72-1-4383	6060 T5 alu	red anodised	67	55	4.5	13	opening spring / delivered flat	68
NS 72-1-4384	6060 T5 alu	bronze anodised	67	55	4.5	13	opening spring / delivered flat	68
NS 72-1-4385	6060 T5 alu	gold anodised	67	55	4.5	13	opening spring / delivered flat	68
NEW 72-1-4327	6060 T5 alu	clear anodised	67	55	4.5	13	opening spring / delivered flat / with M6 studs	87
72-1-4297	6060 T5 alu	black anodised	67	55	4.5	13	opening spring / delivered flat	68
NEW 72-1-4328	6060 T5 alu	black anodised	67	55	4.5	13	opening spring / delivered flat / with M6 studs	87
72-1-4260	6060 T5 alu	clear anodised	67	55	4.5	13	closing spring	67
NS 72-1-4386	6060 T5 alu	blue anodised	67	55	4.5	13	closing spring	67
NS 72-1-4387	6060 T5 alu	red anodised	67	55	4.5	13	closing spring	67
NS 72-1-4388	6060 T5 alu	bronze anodised	67	55	4.5	13	closing spring	67
NS 72-1-4389	6060 T5 alu	gold anodised	67	55	4.5	13	closing spring	67
NEW 72-1-4320	6060 T5 alu	clear anodised	67	55	4.5	13	closing spring / with M6 studs	86
72-1-4261	6060 T5 alu	black anodised	67	55	4.5	13	closing spring	67
NEW 72-1-4321	6060 T5 alu	black anodised	67	55	4.5	13	closing spring / with M6 studs	86



72-1-4320 & 72-1-4321
72-1-4327 & 72-1-4328



Hinges with dual function

Spring hinges - aluminium profile

Spring hinges - aluminium profile 3.80 N.m - diameter 18



Opening spring force:

M(0°): 3.80 N.m / M(90°): 3.10 N.m / M(180°): 2.40 N.m

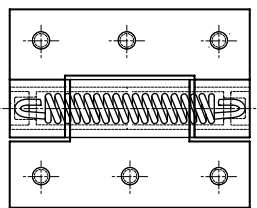
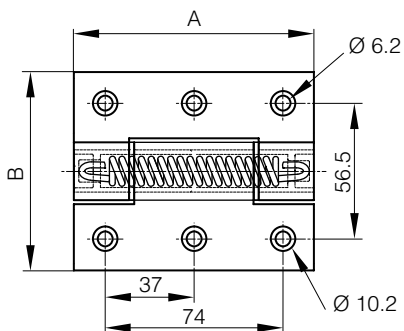
Closing spring force:

M(0°): 2.20 N.m / M(90°): 2.90 N.m / M(180°): 3.50 N.m

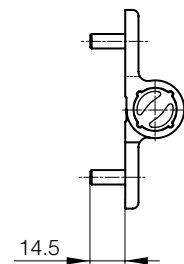
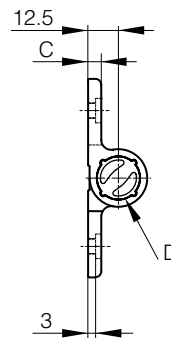
Free swinging hinge without spring available (part number: 72-1-4241 in colorless or 72-1-4242 in black).



Part number	Material	Finish	A	B	C	D	Note	Weight (g)
72-1-4231	6082 T5 alu	clear anodised	100	82.5	5.5	18	opening spring	183
72-1-4232	6082 T5 alu	black anodised	100	82.5	5.5	18	opening spring	183
72-1-4258	6082 T5 alu	clear anodised	100	82.5	5.5	18	closing spring	183
NEW 72-1-4331	6082 T5 alu	clear anodised	100	82.5	5.5	18	closing spring / with M6 studs	188
72-1-4259	6082 T5 alu	black anodised	100	82.5	5.5	18	closing spring	183
NEW 72-1-4332	6082 T5 alu	black anodised	100	82.5	5.5	18	closing spring / with M6 studs	188



72-1-4331 & 72-1-4332



Hinges with dual function

Rolled knuckle spring hinges

Opening spring hinges 120 mm long

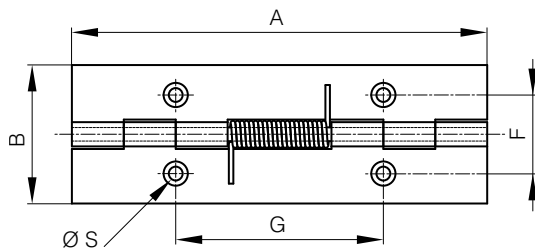


Opening spring force:
 $M(0^\circ)$: 0.85 N.m / $M(90^\circ)$: 0.56 N.m / $M(180^\circ)$: 0.28 N.m

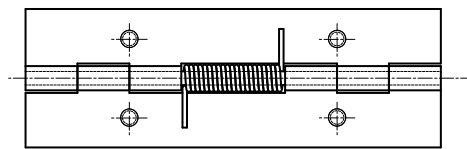
Stainless steel spring.



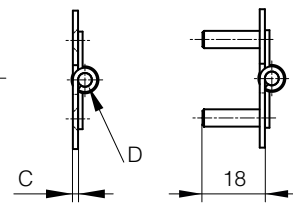
Part number	Material	Finish	A	B	C	D	F	G	S	Note	Weight (g)
71-1-3799	steel	raw	120	40	1.5	4				undrilled	82
71-1-3805	steel	zinc plated	120	40	1.5	4	22.7	60	4	drilled	82
NS 71-1-3885	steel	zinc plated	120	40	1.5	4	22.7	60	4	with M5 studs	94
71-1-3860	5754 alu	raw	120	40	1.5	4				undrilled	45
71-1-3861	5754 alu	raw	120	40	1.5	4	22.7	60	4	drilled	45
NS 71-1-3887	5754 alu	raw	120	40	1.5	4	22.7	60	4	with M5 studs	57
71-1-3787	304 stainless steel	raw	120	40	1.5	4				undrilled	82
71-1-3793	304 stainless steel	raw	120	40	1.5	4	22.7	60	4	drilled	82
NEW 71-1-3879	304 stainless steel	raw	120	40	1.5	4	22.7	60	4	with M5 studs	94



71-1-3793 & 71-1-3805 & 71-1-3861



71-1-3879 & 71-1-3885 & 71-1-3887



Hinges with dual function

Rolled knuckle spring hinges

Closing spring hinges 120 mm long

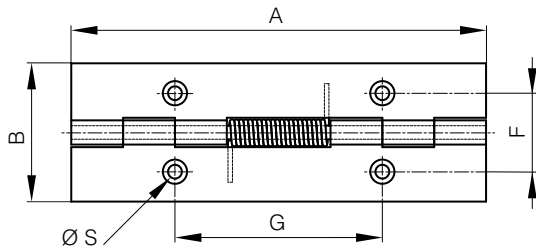


Closing spring force:
 $M(0^\circ)$: 0.28 N.m / $M(90^\circ)$: 0.56 N.m / $M(180^\circ)$: 0.85 N.m

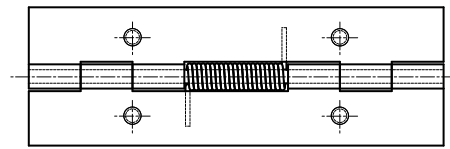
Stainless steel spring.



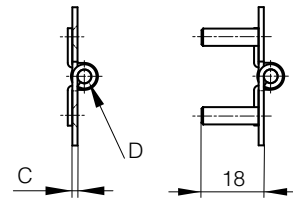
Part number	Material	Finish	A	B	C	D	F	G	S	Note	Weight (g)
71-1-3802	steel	raw	120	40	1.5	4				undrilled	82
71-1-3808	steel	zinc plated	120	40	1.5	4	22.7	60	4	drilled	82
NS 71-1-3886	steel	zinc plated	120	40	1.5	4	22.7	60	4	with M5 studs	94
71-1-3862	5754 alu	raw	120	40	1.5	4				undrilled	45
71-1-3863	5754 alu	raw	120	40	1.5	4	22.7	60	4	drilled	45
NS 71-1-3888	5754 alu	raw	120	40	1.5	4	22.7	60	4	with M5 studs	57
71-1-3790	304 stainless steel	raw	120	40	1.5	4				undrilled	82
71-1-3796	304 stainless steel	raw	120	40	1.5	4	22.7	60	4	drilled	82
NEW 71-1-3880	304 stainless steel	raw	120	40	1.5	4	22.7	60	4	with M5 studs	94



71-1-3796 & 71-1-3808 & 71-1-3863



71-1-3880 & 71-1-3886 & 71-1-3888



Hinges with dual function

Rolled knuckle spring hinges

Opening spring hinges 180 mm long



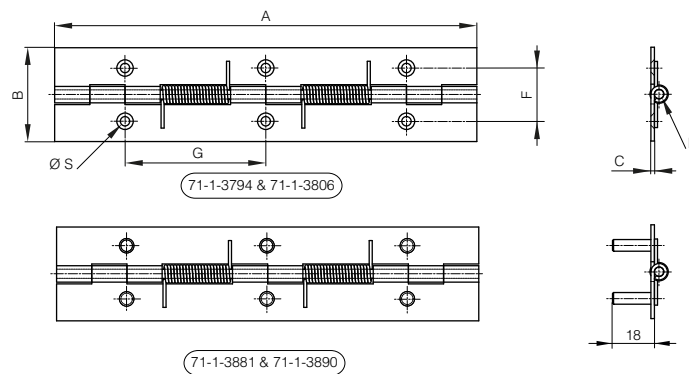
Opening spring force:

M(0°): 1.7 N.m / M(90°): 1.1 N.m / M(180°): 0.56 N.m

Stainless steel spring.



Part number	Material	Finish	A	B	C	D	F	G	S	Note	Weight (g)
71-1-3800	steel	raw	180	40	1.5	4				undrilled	124
71-1-3806	steel	zinc plated	180	40	1.5	4	22.7	60	4	drilled	124
NS 71-1-3890	steel	zinc plated	180	40	1.5	4	22.7	60	4	with M5 studs	142
71-1-3788	304 stainless steel	raw	180	40	1.5	4				undrilled	124
71-1-3794	304 stainless steel	raw	180	40	1.5	4	22.7	60	4	drilled	124
NS 71-1-3881	304 stainless steel	raw	180	40	1.5	4	22.7	60	4	with M5 studs	142



Hinges with dual function

Rolled knuckle spring hinges

Closing spring hinges 180 mm long



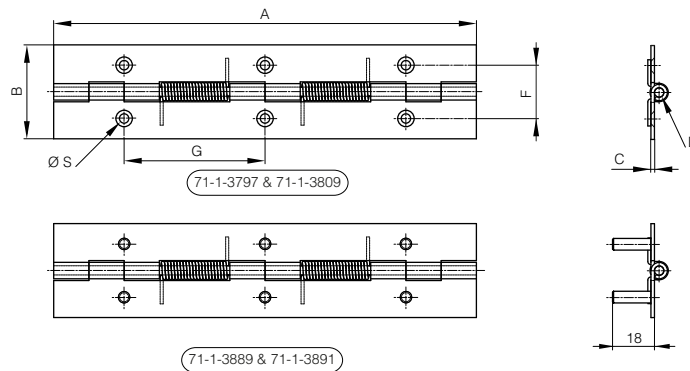
Closing spring force:

M(0°): 0.56 N.m / M(90°): 1.1 N.m / M(180°): 1.7 N.m

Stainless steel spring.



Part number	Material	Finish	A	B	C	D	F	G	S	Note	Weight (g)
71-1-3803	steel	raw	180	40	1.5	4				undrilled	124
71-1-3809	steel	zinc plated	180	40	1.5	4	22.7	60	4	drilled	124
NS 71-1-3891	steel	zinc plated	180	40	1.5	4	22.7	60	4	with M5 studs	142
71-1-3791	304 stainless steel	raw	180	40	1.5	4				undrilled	124
71-1-3797	304 stainless steel	raw	180	40	1.5	4	22.7	60	4	drilled	124
NS 71-1-3889	304 stainless steel	raw	180	40	1.5	4	22.7	60	4	with M5 studs	142



Hinges with dual function

Rolled knuckle spring hinges

Opening spring hinges 240 mm long



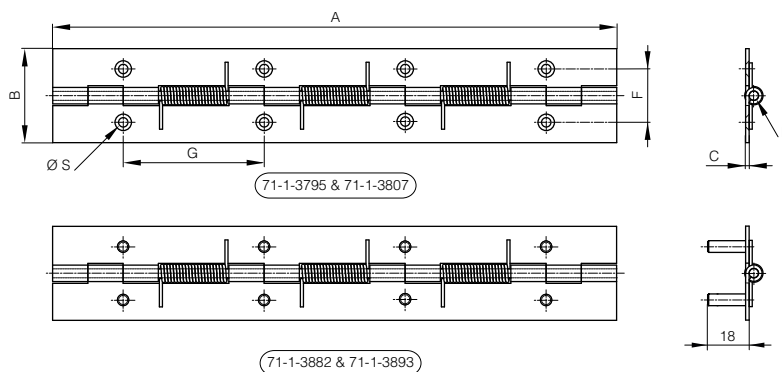
Opening spring force:

M(0°): 2.55 N.m / M(90°): 1.68 N.m / M(180°): 0.84 N.m

Stainless steel spring.



Part number	Material	Finish	A	B	C	D	F	G	S	Note	Weight (g)
71-1-3801	steel	raw	240	40	1.5	4				undrilled	164
71-1-3807	steel	zinc plated	240	40	1.5	4	22.7	60	4	drilled	164
NS 71-1-3893	steel	zinc plated	240	40	1.5	4	22.7	60	4	with M5 studs	187
71-1-3789	304 stainless steel	raw	240	40	1.5	4				undrilled	164
71-1-3795	304 stainless steel	raw	240	40	1.5	4	22.7	60	4	drilled	164
NS 71-1-3882	304 stainless steel	raw	240	40	1.5	4	22.7	60	4	with M5 studs	187



Hinges with dual function

Rolled knuckle spring hinges

Closing spring hinges 240 mm long

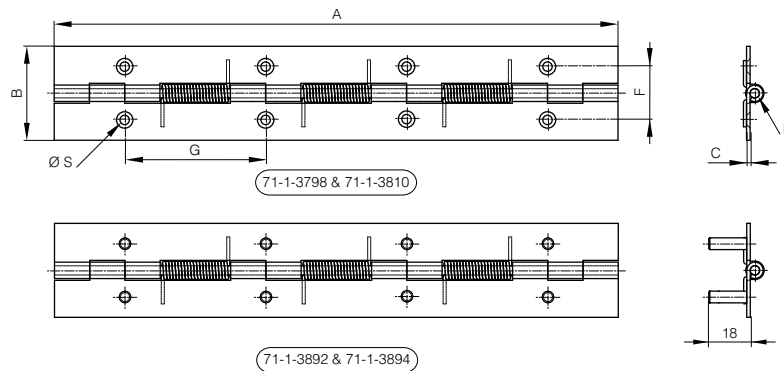


Closing spring force:
 $M(0^\circ)$: 0.84 N.m / $M(90^\circ)$: 1.68 N.m / $M(180^\circ)$: 2.55 N.m

Stainless steel spring.



Part number	Material	Finish	A	B	C	D	F	G	S	Note	Weight (g)
71-1-3804	steel	raw	240	40	1.5	4				undrilled	164
71-1-3810	steel	zinc plated	240	40	1.5	4	22.7	60	4	drilled	164
NS 71-1-3894	steel	zinc plated	240	40	1.5	4	22.7	60	4	with M5 studs	187
71-1-3792	304 stainless steel	raw	240	40	1.5	4				undrilled	164
71-1-3798	304 stainless steel	raw	240	40	1.5	4	22.7	60	4	drilled	164
NS 71-1-3792	304 stainless steel	raw	240	40	1.5	4	22.7	60	4	with M5 studs	187



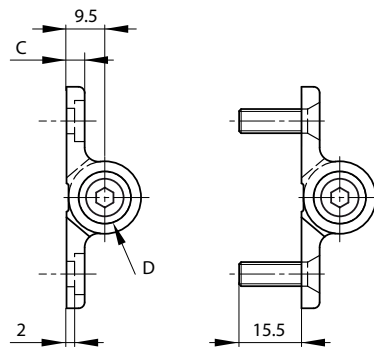
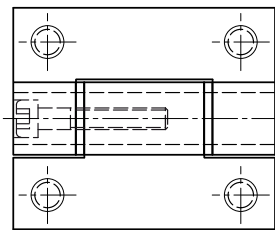
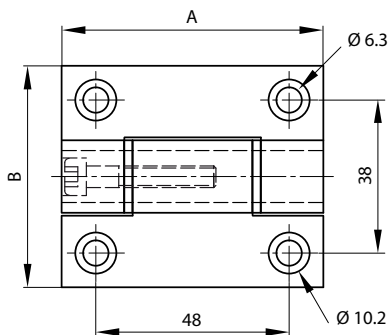
Large friction hinges - adjustable



Large size friction hinge to maintain a lid / door in position.
 The friction torque is adjustable with a hex key.
 Available with a choice of studs or holes.
 3 other versions available: with spring, with detent function or free swinging.
 A full product data sheet is available on our website.



Part number	Material	Finish	A	B	C	D	Torque	Note	Weight (g)
72-1-4145	6060 T5 alu	clear anodised	65	55	4.5	13	0 - 5 N.m	fixing by screw CHC M6	66
NS 72-1-4362	6060 T5 alu	blue anodised	65	55	4.5	13	0 - 5 N.m	fixing by screw CHC M6	66
NS 72-1-4363	6060 T5 alu	red anodised	65	55	4.5	13	0 - 5 N.m	fixing by screw CHC M6	66
NS 72-1-4364	6060 T5 alu	bronze anodised	65	55	4.5	13	0 - 5 N.m	fixing by screw CHC M6	66
NS 72-1-4365	6060 T5 alu	gold anodised	65	55	4.5	13	0 - 5 N.m	fixing by screw CHC M6	66
72-1-4146	6060 T5 alu	black anodised	65	55	4.5	13	0 - 5 N.m	fixing by screw CHC M6	66
72-1-4147	6060 T5 alu	clear anodised	65	55	4.5	13	0 - 5 N.m	fixing by M6 studs	78
72-1-4148	6060 T5 alu	black anodised	65	55	4.5	13	0 - 5 N.m	fixing by M6 studs	78



Hinges with dual function

Friction hinges

Hinge with or without friction in stainless steel - 3 N.m friction torque



Constant torque. Stable at various temperatures.

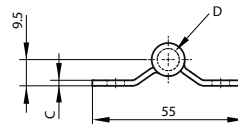
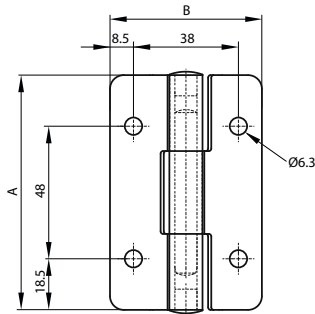
Pin in steel for part number 62-1-3710.

Pin in stainless steel for part numbers 62-1-3711 and 62-1-3719.

Cap in polyethylene.



Part number	Material	Finish	A	B	C	D	Torque	Pin material	Note	Weight (g)
62-1-3710	301 stainless steel	raw	85	55	2	8	3 N.m	steel	with friction	120
NEW 62-1-3719	301 stainless steel	raw	85	55	2	8	3 N.m	stainless steel	with friction	120
62-1-3711	304 stainless steel	raw	85	55	2	8		304 stainless steel	no torque	120



Hinges with dual function

Friction hinges

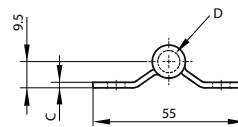
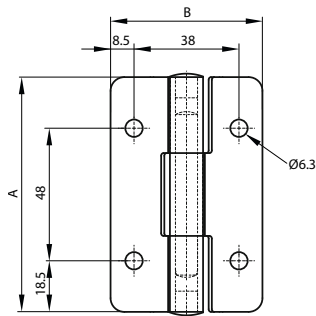
Hinge with or without friction in stainless steel - 5 N.m friction torque



Constant torque. Stable at various temperatures.
 Pin in steel for part number 62-1-3712.
 Pin in stainless steel for part numbers 62-1-3713 and 62-1-3720.
 Cap in polyethylene.



Part number	Material	Finish	A	B	C	D	Torque	Pin material	Note	Weight (g)
62-1-3712	301 stainless steel	raw	85	55	2	12	5 N.m	steel	with torque	155
NEW 62-1-3720	301 stainless steel	raw	85	55	2	12	5 N.m	stainless steel	with torque	155
62-1-3713	304 stainless steel	raw	85	55	2	12		304 stainless steel	no torque	155

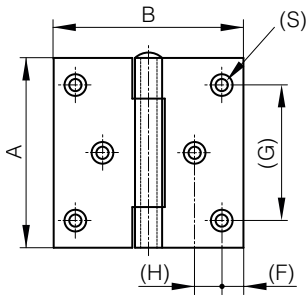


Square hinges with two offset leaves and removable pin - with 4 holes

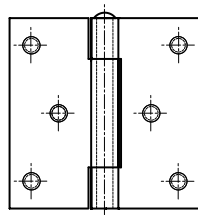
Removable pin.



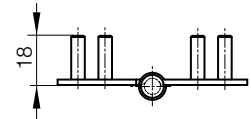
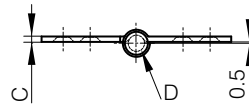
Part number	Material	Finish	A	B	C	D	F	G	H	S	Note	Weight (g)
50-7-3583	steel	zinc plated	70	70	2	6	8	50	10	4		156
50-7-3584	steel	zinc plated	80	80	2.5	6	8	60	12.5	4		164
52-1-3614	304 stainless steel	raw	70	70	2	6	8	50	10	4.5		156
NS 52-1-4107	304 stainless steel	raw	70	70	2	6	8	50	10	4.5	with M5 studs	174
52-1-3616	304 stainless steel	raw	80	80	2.5	6	8	60	12.5	4.5		164
NS 52-1-4110	304 stainless steel	raw	80	80	2.5	6	8	60	12.5	4.5	with M5 studs	182



52-1-3614 & 52-1-3616



52-1-4107 & 52-1-4110

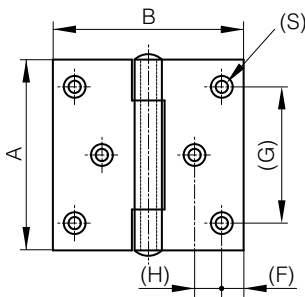


Square hinges with two offset leaves and riveted pin - with 6 leaves

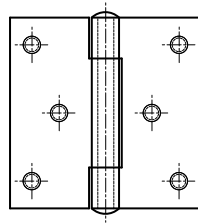
Riveted pin.



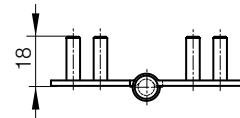
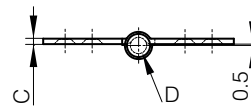
Part number	Material	Finish	A	B	C	D	F	G	H	S	Note	Weight (g)
52-1-3615	304 stainless steel	raw	70	70	2	6	8	50	10	4.5		156
NS 52-1-4108	304 stainless steel	raw	70	70	2	6	8	50	10	4.5	with M5 studs	174
52-1-3617	304 stainless steel	raw	80	80	2.5	6	8	60	12.5	4.5		164
NS 52-1-4111	304 stainless steel	raw	80	80	2.5	6	8	60	12.5	4.5	with M5 studs	182



52-1-3615 & 52-1-3617



52-1-4108 & 52-1-4111

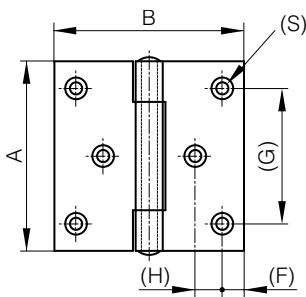


Square hinges with no offset leaf and riveted pin - with 6 holes

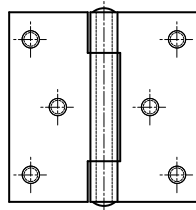
Riveted pin.



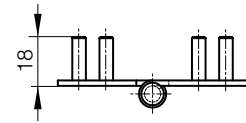
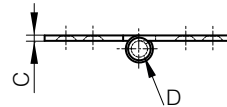
Part number	Material	Finish	A	B	C	D	F	G	H	S	Note	Weight (g)
52-1-3867	304 stainless steel	raw	70	70	2	6	8	50	10	4.5		110
NS 52-1-4109	304 stainless steel	raw	70	70	2	6	8	50	10	4.5	with M5 studs	128
52-1-3868	304 stainless steel	raw	80	80	2.5	6	8	60	12.5	4.5		166
NS 52-1-4112	304 stainless steel	raw	80	80	2.5	6	8	60	12.5	4.5	with M5 studs	184



52-1-3867 & 52-1-3868



52-1-4109 & 52-1-4112





Strike for spring-loaded bolt and barrel bolt in aluminium



Strike compatible with:

- Spring-loaded bolt, part numbers: 16-1-4312 and 16-1-4313.
- Barrel bolt in aluminium part numbers: 16-1-4311.



	Part number	Finish	A	B	C	Weight (g)
NEW	16-1-4323	clear anodised	25	37	19	11

