



Rounding the corner.

With the radius adapter, you can install gasket profiles around corners, ensuring optimal functionality by eliminating pinch points.

Page 679



Well shielded.

The DIRAK EMI sealing profiles provide electromagnetic shielding for your enclosures.

Page 667



UL Certified Quality.

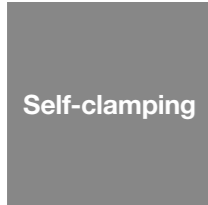
Products and materials bearing this icon are UL certified and meet the appropriate standards. If you would like more information, please contact us.

Can't go wrong!

Due to the symmetric design of the profile, it can't be installed backwards and guarantees a secure fit and tight seal.

Page 658

Gaskets by Mounting Type



Self-clamping

Page: 658–659, 664–677



Self-adhesive

Page: 660–663

658 Four Lips Channel Sealing Profile EPDM [5-100]	659 Self-clamping Profiles EPDM [5-110.01]	660 Rectangular Seals EPDM / CR [5-120]	661 Rectangular Seals EPDM / CR [5-125]	662 Round- and Castellated Profiles EPDM / CR [5-127]	664 Window Seals EPDM [5-130]
665 Window Seal EPDM [5-131]	666 Window Seals EPDM / NBR [5-140]	667 RFI Sealing Profiles Clip-on [5-149]	668 Clip-on Sealing Profiles EPDM / NBR [5-150]	669 Clip-on Sealing Profiles EPDM / NBR [5-151]	670 Clip-on Sealing Profiles EPDM [5-152]
671 Clip-on Sealing Profiles PVC / EPDM [5-153]	672 Clip-on Sealing Profiles PVC / EPDM [5-154]	673 Special Profiles EPDM [5-155]	674 Channel Sealing Profiles PVC [5-110.02]	675 Profile for Double Doors EPDM [5-156]	676 Edge Protections PVC [5-160]
677 Edge Protections EPDM [5-161]	678 Accessories for Profiles [5-170]	679 Radius Adapter [5-171]	680 Rubber Bumpers EPDM / NR [5-950.01]	681 Mushroom Type Bumpers EPDM / NR [5-950.02]	



Advantages

- High tolerance compensation at minimal compression.
- Balanced sealing properties between gasket/frame and gasket/door.
- Special lips on the profiles allow defined longitudinal movement but prevent the profiles from falling out when opening the door.
- The profile characteristics are the same for both high-pressure and vacuum applications.
- They can be used for 90° corners without warping or folding.
- The double symmetry prevents incorrect fitting.
- Tool-less installation by simply pressing into the channel.
- Tested according to UL 157 and UL 50E.

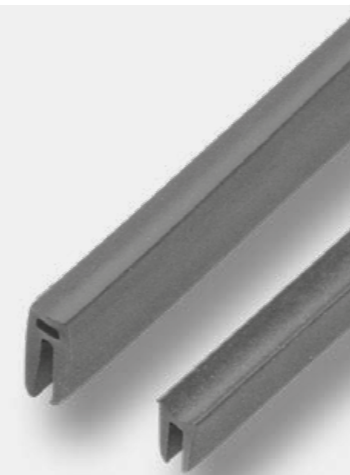
Materials

■ **Sponge rubber quality:** EPDM

Remarks

1. = not compressed
 2. = compressed
 3. = groove width must not be smaller than 8.6 (0.339).
- The best sealing result is only achieved in case the gasket can move freely in the groove and is only hold in position by the 2 central "lips".

Note Tolerances!



Advantages

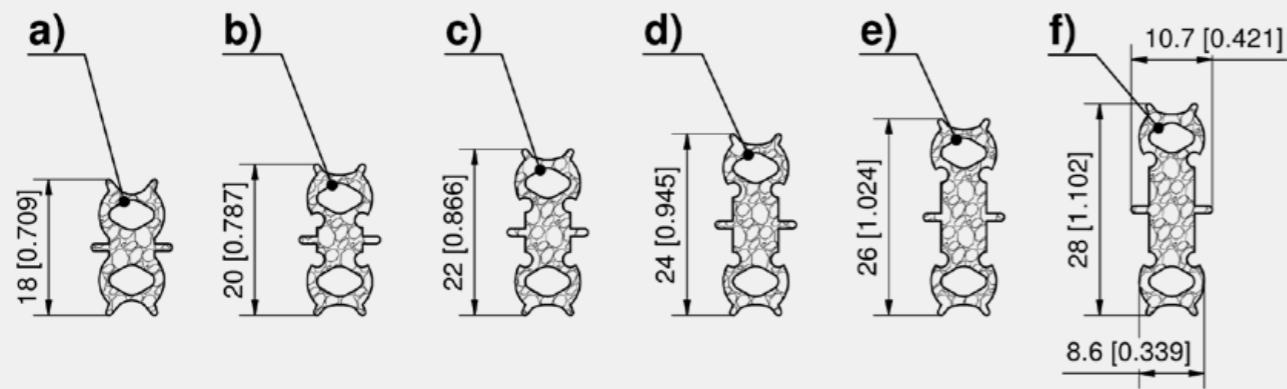
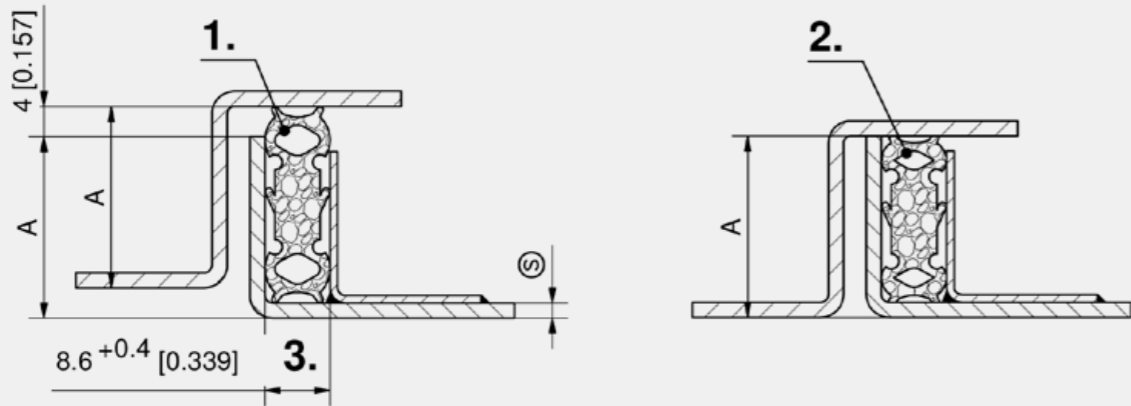
- Basic door profiles for lids, doors and paneling, made of EPDM.
- Simple fitting: these profiles are simply pushed onto sheet metal edges. If necessary profiles have to be glued.
- No radius or mitering necessary: no warping or folds.
- Tested according to UL 157 and UL 50 E.

Materials

■ **Self-clamping Profile:** EPDM

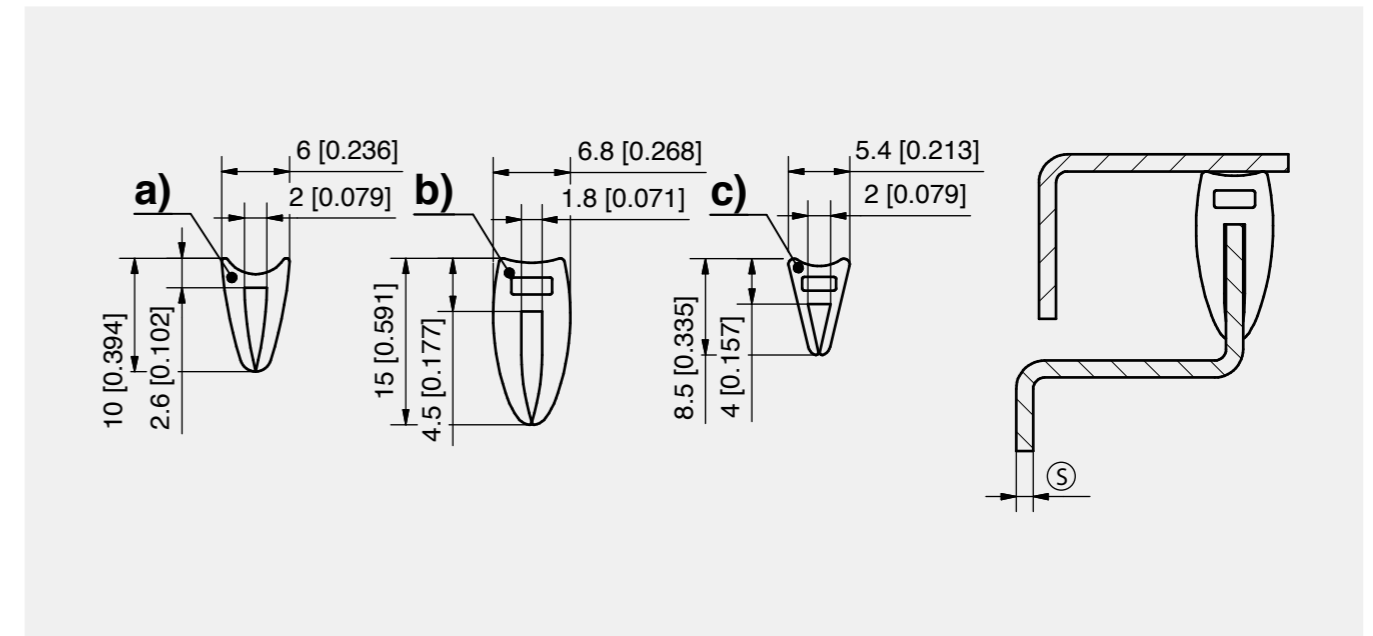
Remarks

Note Tolerances!



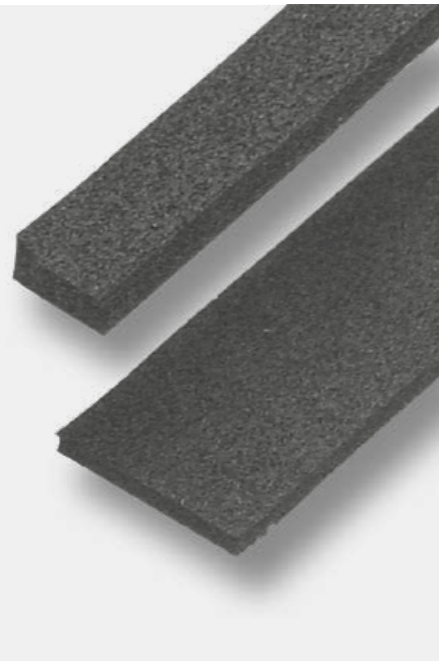
Channel Sealing Profiles

	Part Number	Material	Colour	Width W	Height H	Bending	Packaging unit
a)	209-0118.00-00000	EPDM	black	8.6 mm	18 mm	16 mm	40 m
b)	209-0120.00-00000	EPDM	black	8.6 mm	20 mm	18 mm	40 m
c)	209-0122.00-00000	EPDM	black	8.6 mm	22 mm	20 mm	40 m
d)	209-0124.00-00000	EPDM	black	8.6 mm	24 mm	22 mm	40 m
e)	209-0126.00-00000	EPDM	black	8.6 mm	26 mm	24 mm	40 m
f)	209-0128.00-00000	EPDM	black	8.6 mm	28 mm	26 mm	40 m



Edge Sealing Profiles

	Part Number	Material	Colour	Width W	Height H	Packaging unit
a)	209-0301.00-00000	EPDM	black	6 mm	10 mm	50 m
b)	209-0302.00-00000	EPDM	black	6.8 mm	15 mm	50 m
c)	209-0307.00-00000	EPDM	black	5.4 mm	8.5 mm	50 m



Advantages

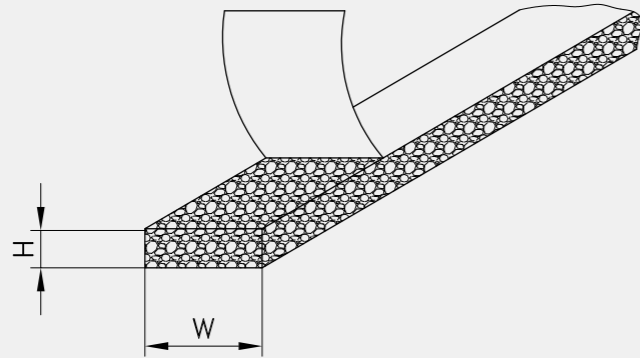
- Rectangular Seals one-side self-adhesive and non-stretching.
- The rubber foam cells are closed.
- The cellular rubber sealing tape is highly water- and airtight.
- Water absorption of max. 5% on the surface possible.
- Order example:
■ EPDM tape 30 wide, 10 thick = 225-3010
■ CR tape 30 wide, 10 thick = 226-3010

Materials

- **Rectangular Seals:** EPDM or CR
- **Storeability:** 6 months

Remarks

Packaging unit: 20m, over 15mm/0.591 thickness in strips of 1 m/ 39 inches.
Other dimensions are available on request.
(Delivery time 3 weeks)



Advantages

- Rectangular seals made of EPDM or CR.
- EPDM seals (black and light grey) are type-tested according to the UL standards UL 157 und UL 50E.
- Density: CR 0,55±0.05g/cm³, EPDM 0.6±0.1g/cm³.
- Profile without Glue: 268- CR black, 272- EPDM black, 270- EPDM light grey.
- Profile with self-adhesive on one side. They are non-stretching: 269- CR black, 273- EPDM black, 271- EPDM light grey.
- **ATTENTION:** The glue on the self-adhesive seal is only an assembling aid.
- Profile with permanent fixing with Acrylic Foam Tape: 277- CR black, 274- EPDM black, 275- EPDM light grey.

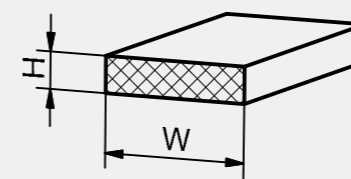
Materials

- **Rectangular seals:** EPDM or CR

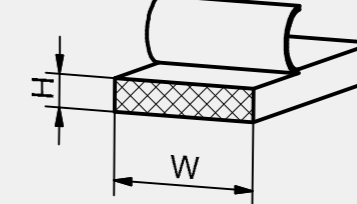
Remarks

The self-adhesive seals are available within 3 weeks.
The shelf life for seals with glue is approx. 6 months.
Packaging units see www.dirak.com.

Rectangular profile



Rectangular profile self-adhesive (SA= installation aid)



Rectangular Seals

Part Number	Material	Colour	Width W	Height H	Packaging unit
225-1003.00-00000	rubber/EPDM	black	10 mm	3 mm	20 m
225-1004.00-00000	rubber/EPDM	black	10 mm	4 mm	20 m
225-1005.00-00000	rubber/EPDM	black	10 mm	5 mm	20 m
225-1503.00-00000	rubber/EPDM	black	15 mm	3 mm	20 m
225-1504.00-00000	rubber/EPDM	black	15 mm	4 mm	20 m
225-1505.00-00000	rubber/EPDM	black	15 mm	5 mm	20 m
225-2003.00-00000	rubber/EPDM	black	20 mm	3 mm	20 m
225-2004.00-00000	rubber/EPDM	black	20 mm	4 mm	20 m
225-2005.00-00000	rubber/EPDM	black	20 mm	5 mm	20 m
226-1003.00-00000	CR	black	10 mm	3 mm	20 m
226-1004.00-00000	CR	black	10 mm	4 mm	20 m
226-1005.00-00000	CR	black	10 mm	5 mm	20 m
226-1503.00-00000	CR	black	15 mm	3 mm	20 m
226-1504.00-00000	CR	black	15 mm	4 mm	20 m
226-1505.00-00000	CR	black	15 mm	5 mm	20 m
226-2003.00-00000	CR	black	20 mm	3 mm	20 m
226-2004.00-00000	CR	black	20 mm	4 mm	20 m
226-2005.00-00000	CR	black	20 mm	5 mm	20 m

Examples for Rectangular Seals

Part number	Width B	Height H	Name
269-1003.00-00000	10 mm	3 mm	Sponge Rubber Tape CR black
269-1502.00-00000	15 mm	2 mm	Sponge Rubber Tape CR black
269-3005.00-00000	30 mm	5 mm	Sponge Rubber Tape CR black
271-1502.00-00000	15 mm	2 mm	Rectangular Seals,EPDM, light grey
271-2502.00-00000	25 mm	2 mm	Rectangular Seals,EPDM, light grey
272-2010.00-00000	20 mm	10 mm	Rectangular Seals,EPDM, black
273-0802.00-00000	8 mm	2 mm	Rectangular Seals,EPDM, black
273-1002.00-00000	10 mm	2 mm	Rectangular Seals,EPDM, black
273-2002.00-00000	20 mm	2 mm	Rectangular Seals,EPDM, black
273-1003.00-00000	10 mm	3 mm	Rectangular Seals,EPDM, black
273-1503.00-00000	15 mm	3 mm	Rectangular Seals,EPDM, black
273-2003.00-00000	20 mm	3 mm	Rectangular Seals,EPDM, black
273-1204.00-00000	12 mm	4 mm	Rectangular Seals,EPDM, black
273-1205.00-00000	12 mm	5 mm	Rectangular Seals,EPDM, black
273-1506.00-00000	15 mm	6 mm	Rectangular Seals,EPDM, black
273-2006.00-00000	20 mm	6 mm	Rectangular Seals,EPDM, black

The sealing profiles listed here are just a few examples from a portfolio of over 500 rectangular seals from our program. For other cross-sections or questions about dimensions, delivery time or packaging units, please contact us. We will be glad to help you.



Advantages

Round Profile:

- The round profiles are made from EPDM or CR with a closed surface.

- EPDM profiles are tested according to UL 157 and UL 50 E.

Castellated Profile:

- Castellated profiles are made from EPDM.
- These tapes are available with one-sided self-adhesive. They are non-stretching.

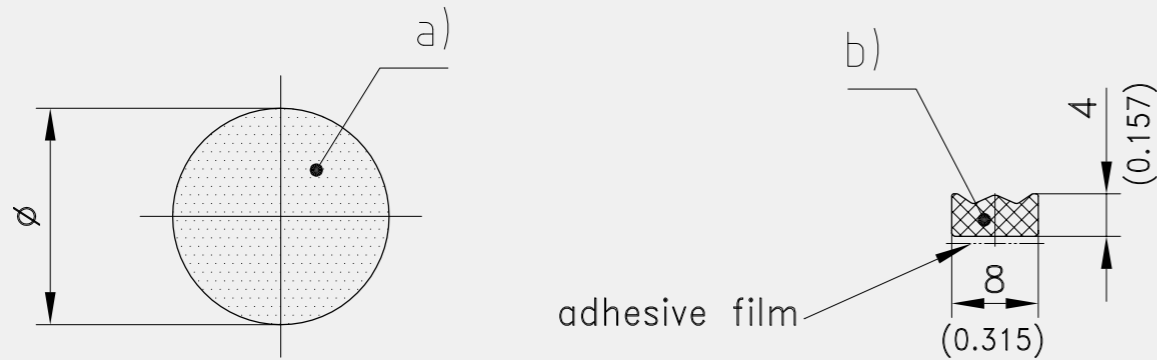
- Tested according to UL 157 and UL 50 E.

Materials

- Round profiles: EPDM or CR
- Castellated profiles: EPDM
- Storeability: 6 month

Remarks

Note Tolerances!



Round profiles, EPDM, light grey

Part Number	Material	Colour	Diameter Ø	Packaging unit
270-0020.00-00000	EPDM	light grey	2 mm	200 m
270-0025.00-00000	EPDM	light grey	2.5 mm	200 m
270-0030.00-00000	EPDM	light grey	3 mm	200 m
270-0035.00-00000	EPDM	light grey	3.5 mm	200 m
270-0040.00-00000	EPDM	light grey	4 mm	200 m
270-0045.00-00000	EPDM	light grey	4.5 mm	200 m
270-0050.00-00000	EPDM	light grey	5 mm	200 m
270-0060.00-00000	EPDM	light grey	6 mm	200 m
270-0070.00-00000	EPDM	light grey	7 mm	200 m
270-0080.00-00000	EPDM	light grey	8 mm	200 m
270-0090.00-00000	EPDM	light grey	9 mm	200 m
270-0100.00-00000	EPDM	light grey	10 mm	100 m
270-0110.00-00000	EPDM	light grey	11 mm	100 m
270-0120.00-00000	EPDM	light grey	12 mm	200 m
270-0130.00-00000	EPDM	light grey	13 mm	50 m
270-0140.00-00000	EPDM	light grey	14 mm	50 m
270-0150.00-00000	EPDM	light grey	15 mm	50 m
270-0160.00-00000	EPDM	light grey	16 mm	50 m
270-0180.00-00000	EPDM	light grey	18 mm	25 m
270-0200.00-00000	EPDM	light grey	20 mm	25 m
270-0220.00-00000	EPDM	light grey	22 mm	25 m
270-0250.00-00000	EPDM	light grey	25 mm	25 m
270-0300.00-00000	EPDM	light grey	30 mm	20 m
270-0350.00-00000	EPDM	light grey	35 mm	20 m
270-0400.00-00000	EPDM	light grey	40 mm	20 m
270-0450.00-00000	EPDM	light grey	45 mm	10 m
270-0500.00-00000	EPDM	light grey	50 mm	10 m

Round profiles, EPDM, black

Part Number	Material	Colour	Diameter Ø	Packaging unit
272-0020.00-00000	EPDM	black	2 mm	200 m
272-0025.00-00000	EPDM	black	2.5 mm	200 m
272-0030.00-00000	EPDM	black	3 mm	200 m
272-0035.00-00000	EPDM	black	3.5 mm	200 m
272-0040.00-00000	EPDM	black	4 mm	200 m
272-0045.00-00000	EPDM	black	4.5 mm	200 m
272-0050.00-00000	EPDM	black	5 mm	200 m
272-0060.00-00000	EPDM	black	6 mm	200 m
272-0070.00-00000	EPDM	black	7 mm	200 m
272-0080.00-00000	EPDM	black	8 mm	200 m
272-0090.00-00000	EPDM	black	9 mm	200 m
272-0100.00-00000	EPDM	black	10 mm	100 m
272-0110.00-00000	EPDM	black	11 mm	100 m
272-0120.00-00000	EPDM	black	12 mm	200 m
272-0130.00-00000	EPDM	black	13 mm	50 m
272-0140.00-00000	EPDM	black	14 mm	50 m
272-0150.00-00000	EPDM	black	15 mm	50 m
272-0160.00-00000	EPDM	black	16 mm	50 m
272-0180.00-00000	EPDM	black	18 mm	25 m
272-0200.00-00000	EPDM	black	20 mm	25 m
272-0220.00-00000	EPDM	black	22 mm	25 m
272-0250.00-00000	EPDM	black	25 mm	25 m
272-0300.00-00000	EPDM	black	30 mm	20 m
272-0350.00-00000	EPDM	black	35 mm	20 m
272-0400.00-00000	EPDM	black	40 mm	20 m
272-0450.00-00000	EPDM	black	45 mm	10 m
272-0500.00-00000	EPDM	black	50 mm	10 m

Round profiles, CR, black

Part Number	Material	Colour	Diameter Ø	Packaging unit
268-0020.00-00000	CR	black	2 mm	200 m
268-0030.00-00000	CR	black	3 mm	200 m
268-0040.00-00000	CR	black	4 mm	200 m
268-0050.00-00000	CR	black	5 mm	200 m
268-0060.00-00000	CR	black	6 mm	200 m
268-0070.00-00000	CR	black	7 mm	200 m
268-0080.00-00000	CR	black	8 mm	200 m
268-0100.00-00000	CR	black	10 mm	100 m
268-0120.00-00000	CR	black	12 mm	200 m
268-0150.00-00000	CR	black	15 mm	50 m
268-0160.00-00000	CR	black	16 mm	50 m
268-0180.00-00000	CR	black	18 mm	25 m
268-0200.00-00000	CR	black	20 mm	25 m
268-0220.00-00000	CR	black	22 mm	25 m
268-0250.00-00000	CR	black	25 mm	25 m
268-0300.00-00000	CR	black	30 mm	20 m
268-0350.00-00000	CR	black	35 mm	20 m

Castellated profile

Part Number	Material	Colour	Width W	Height H	Packaging unit
b) 209-1401.00-00000	EPDM	black	8 mm	4 mm	250 m



Advantages

- Window seals are used to mount panes, windows, etc. in doors, casings and machine enclosures.
- Note:** assembly only with filler. The pane is clamped in place with the help of the filler and held flush-mounted in the cutout.
- The window seals are made of EPDM with excellent weathering and ozone resistance properties.
- DIRAK's EPDM quality is neutral to paints.
- Tested according to UL 157 and UL 50 E.**

Materials

Profile and filler: EPDM

Remarks

- Window
 - Window seal
 - Filler
 - Sheet metal thickness
- Please dimension window with 1mm gap circumferentially.
AS = size of window
AB = size sheet metal
Note Tolerances!



Advantages

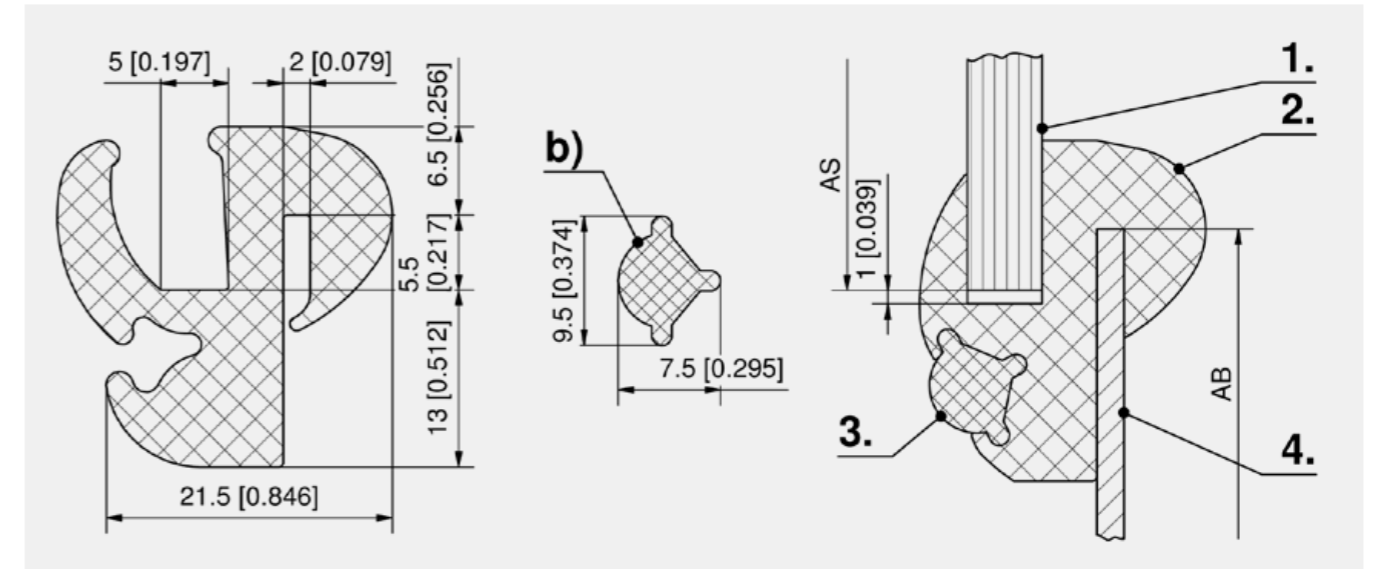
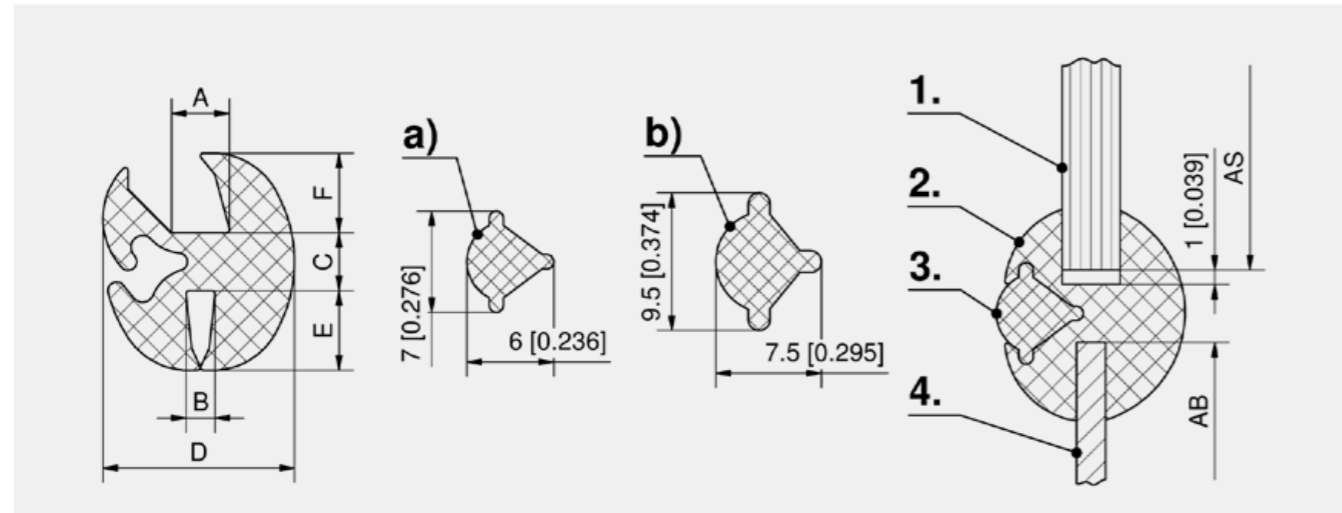
- Window seals are used to mount panes, windows, etc. in doors, casings and machine enclosures.
- Note:** assembly only with filler. The pane is clamped in place with the help of the filler and held flush-mounted in the cutout.
- The window seal is made of EPDM with excellent weathering and ozone resistance properties.
- DIRAK's EPDM quality is neutral to paints.
- Tested according to UL 157 and UL 50 E.**

Materials

Window seals: EPDM

Remarks

- Window
 - Profile
 - Filler
 - Sheet metal thickness
- Please dimension window with 1 mm gap circumferentially.
AS = size of window
AB = size sheet metal
Note Tolerances!



Window Seals

Part Number	Material	Colour	A	B	C	D	e	f	Bending radius	Filler	Packaging unit
209-0501.00-00000	EPDM	black	4 mm	2 mm	4 mm	13 mm	5.5 mm	5.5 mm	30	a)	20 m
209-0502.00-00000	EPDM	black	4 mm	2.5 mm	7 mm	16 mm	7 mm	7 mm	70	b)	20 m
209-0503.00-00000	EPDM	black	6 mm	2.5 mm	7 mm	18 mm	7 mm	7 mm	70	b)	20 m
209-0508.00-00000	EPDM	black	3 mm	1 mm	4 mm	11.6 mm	4.5 mm	6 mm	35	a)	20 m
209-0509.00-00000	EPDM	black	4 mm	1.5 mm	7 mm	16 mm	7 mm	7 mm	80	b)	20 m
209-0510.00-00000	EPDM	black	4 mm	2 mm	7.3 mm	18 mm	11 mm	8.7 mm	100	b)	15 m
209-0511.00-00000	EPDM	black	4.5 mm	5 mm	7 mm	16 mm	7 mm	7 mm	80	b)	20 m
209-0512.00-00000	EPDM	black	5 mm	2 mm	7.5 mm	19 mm	12.5 mm	9.5 mm	100	b)	15 m
209-0513.00-00000	EPDM	black	5 mm	3 mm	7 mm	19 mm	8 mm	8 mm	90	b)	20 m
209-0514.00-00000	EPDM	black	5 mm	3 mm	7.5 mm	19 mm	12.5 mm	9.5 mm	100	b)	15 m
209-0515.00-00000	EPDM	black	5 mm	5 mm	7 mm	18.4 mm	9 mm	8 mm	90	b)	20 m
209-0516.00-00000	EPDM	black	5.5 mm	2 mm	7.3 mm	19 mm	11 mm	8.7 mm	100	b)	15 m
209-0517.00-00000	EPDM	black	6 mm	1.5 mm	7.5 mm	19 mm	12.5 mm	9.5 mm	100	b)	15 m
209-0518.00-00000	EPDM	black	6 mm	2.5 mm	7 mm	19 mm	8 mm	8 mm	90	b)	20 m
209-0519.00-00000	EPDM	black	6 mm	3 mm	7.5 mm	19 mm	12.5 mm	9.5 mm	100	b)	15 m
209-0520.00-00000	EPDM	black	6 mm	4 mm	7.5 mm	19 mm	12.5 mm	9.5 mm	100	b)	15 m
209-0521.00-00000	EPDM	black	6 mm	6 mm	8.5 mm	19 mm	9.5 mm	9 mm	100	b)	15 m
209-0522.00-00000	EPDM	black	8 mm	3 mm	7.5 mm	22 mm	12.5 mm	9.5 mm	120	b)	15 m
209-0523.00-00000	EPDM	black	8 mm	4 mm	8.5 mm	25 mm	12.5 mm	10 mm	100	b)	15 m
209-0524.00-00000	EPDM	black	10 mm	3 mm	7.5 mm	23 mm	12.5 mm	9.5 mm	120	b)	15 m
209-0525.00-00000	EPDM	black	10 mm	6 mm	7.5 mm	24 mm	12.5 mm	9.5 mm	100	b)	15 m

Specific accessories	
b)	209-0602.00-00000 Filler
a)	209-0601.00-00000 Filler

Accessories	
678	209-1003.00-00000 Fitting tool for window seals, incl. eye 701-7068
678	701-7066.00-00000 Eye for fitting tool, small

Window Seal

Part Number	Material	Colour	Width W	Height H	Packaging unit
209-0504.00-00000	EPDM	black	21.5 mm	25 mm	15 m

Specific accessories	
b)	209-0602.00-00000 Filler



Advantages

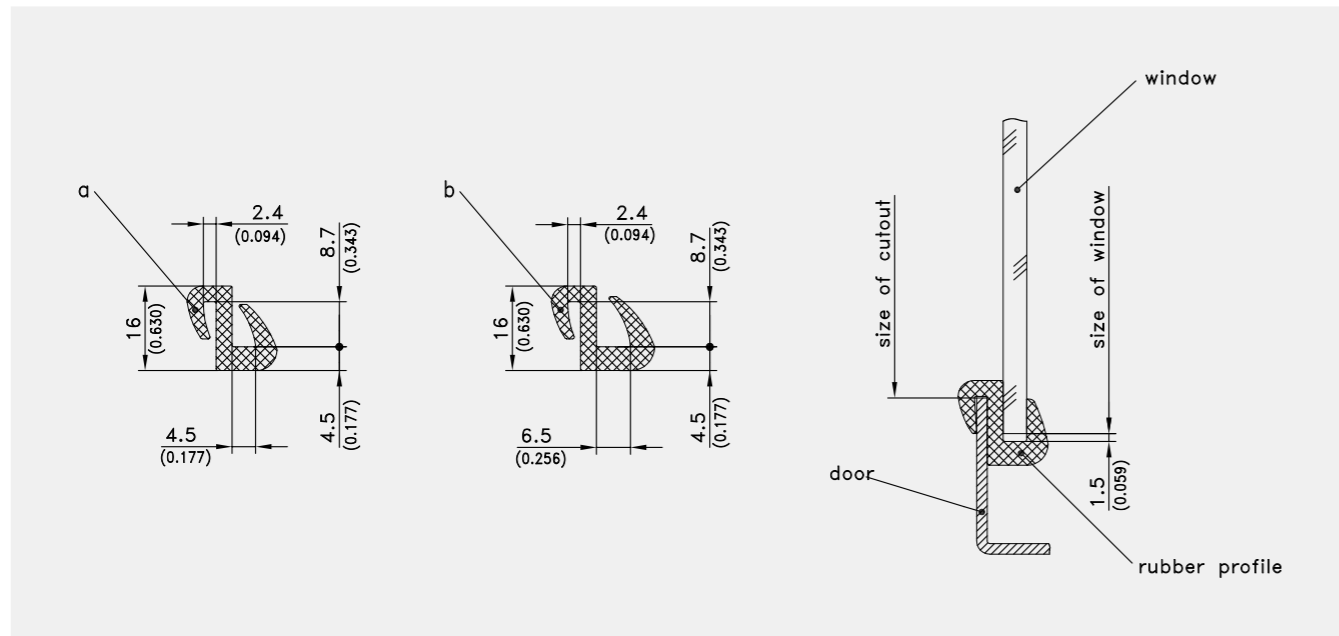
- Window seals are used to mount panes, windows, etc. in doors, casings and machine enclosures.
- They are made of EPDM / NBR. The pane is mounted by simply pressing it into the window seal.
- Additional tools are not required. The pane is inside or outside the enclosure and hence is well-suited for use under high pressure or vacuum conditions.
- EPDM seals are tested according to UL 157 and UL 50E.**

Materials

Rubber quality: EPDM or Perbunan (NBR), NBR is oil-resistant

Remarks

Please dimension window with 1,5 mm gap circumferentially. All standard window seals are available from stock. Note Tolerances!



Window Seals

	Part Number	Material	Colour	Bending radius	Glass thickness	Sheet thickness	Height H	Packaging unit
a)	209-0401.00-00000	EPDM	black	min 80	4.5 mm	2.4 mm	16 mm	100 m
b)	209-0402.00-00000	EPDM	black	min 80	6.5 mm	2.4 mm	16 mm	100 m
a)	209-0406.00-00000	NBR	black	min 80	4.5 mm	2.4 mm	16 mm	100 m
b)	209-0407.00-00000	NBR	black	min 80	6.5 mm	2.4 mm	16 mm	100 m



Advantages

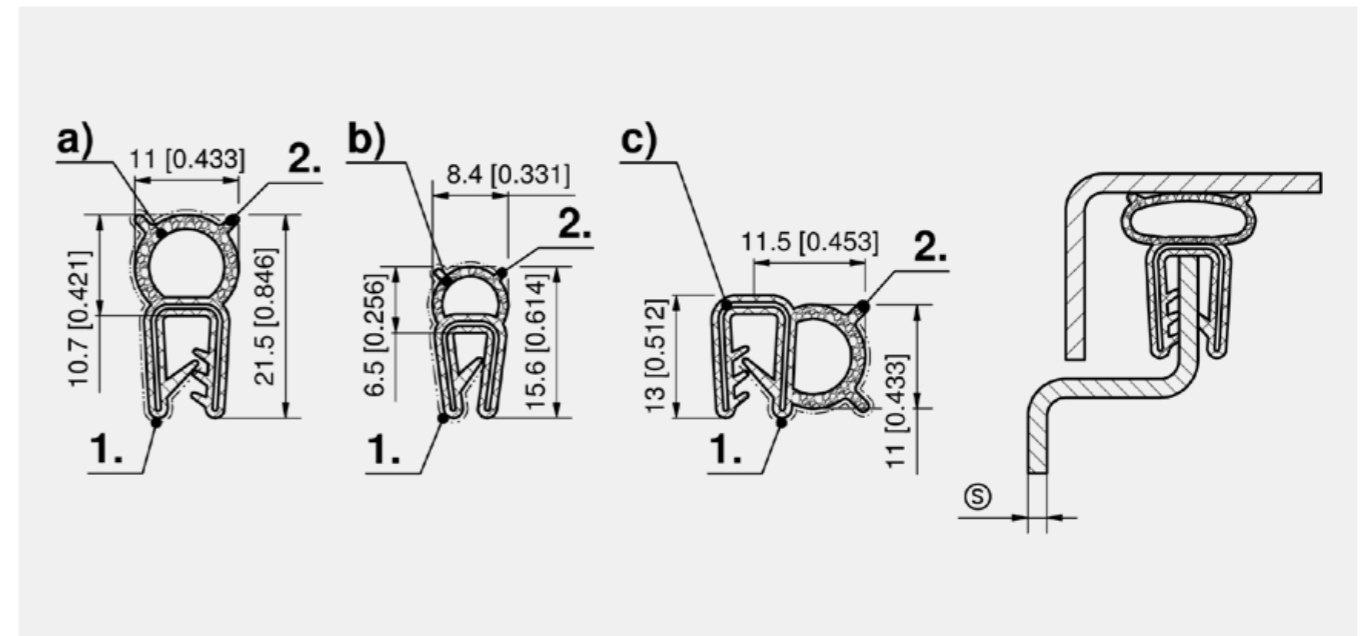
- The EMV shielding profile is an enhancement of gasketing see product system 5-150 and 5-151.
- These profiles possess an additional form closed clotted Cu/Sn fleece.
- Clip-on sealing profile.
- This profile adds the EMI / RFI shielding feature to the proven profile 5-150/5-151.
- Version a), b) and c) tested according to UL 157 and UL 50E.**
- On request we put data sheets to your disposal.

Materials

Carrier: EPDM
Fleece: Cu/Sn coated

Remarks

- Form closed clotted Cu/Sn fleece.
- Outside lip (water- and dust sealing)

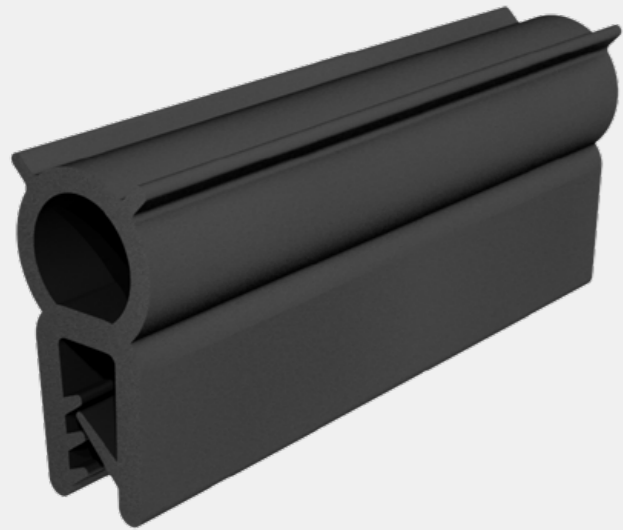


RFI Sealing Profiles

	Part Number	Material	Colour	RFI	Clamping range	Width W	Height H	Packaging unit
a)	209-1301.00-L2006	EPDM	black	Yes	1.0 - 3 mm	11 mm	21.5 mm	100 m
c)	209-1302.00-L2006	EPDM	black	Yes	2 mm	11.5 mm	13 mm	100 m
b)	209-1305.00-00000	EPDM	black	Yes	1.0 - 2 mm	8.4 mm	15.6 mm	100 m

Contact tape for EMI/RFI

	Part Number	Material	RFI	Width W	Mask	Packaging unit
	209-1331.00-00012	fleece (CuSn coated)	Yes	12 mm	9 mm	300 m
	209-1331.00-00022	fleece (CuSn coated)	Yes	22 mm	19 mm	300 m
	209-1331.00-00025	fleece (CuSn coated)	Yes	25 mm	21 mm	300 m



Advantages

- The sealing part of these profiles is made of EPDM sponge rubber and the clamp area consists of soft rubber with a steel clip-on core.
- In an extrusion process the two materials are bonded to each other through vulcanization.
- EPDM profiles are tested according to UL 157 and UL 50E.
- The profiles made of NBR are oil resistant.

Materials

- **Clip-on profiles:** EPDM or NBR
- **Carrier:** Soft rubber
- **Sealing part:** Sponge rubber

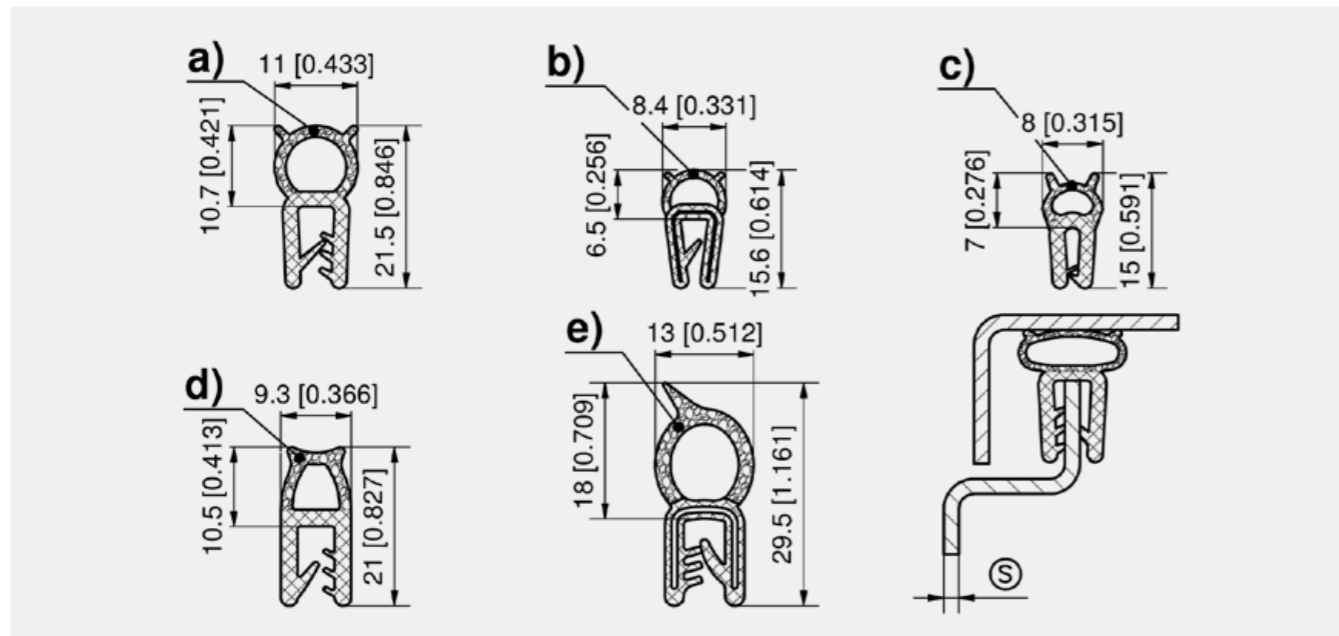


Advantages

- The sealing part of these profiles is made of EPDM sponge rubber and the clamp area consists of soft rubber with a steel EPDM clip-on core.
- In an extrusion process the two materials are bonded to each other through vulcanization.
- EPDM profiles are tested according to UL 157 and UL 50 E.
- The profiles made of NBR are oil resistant.

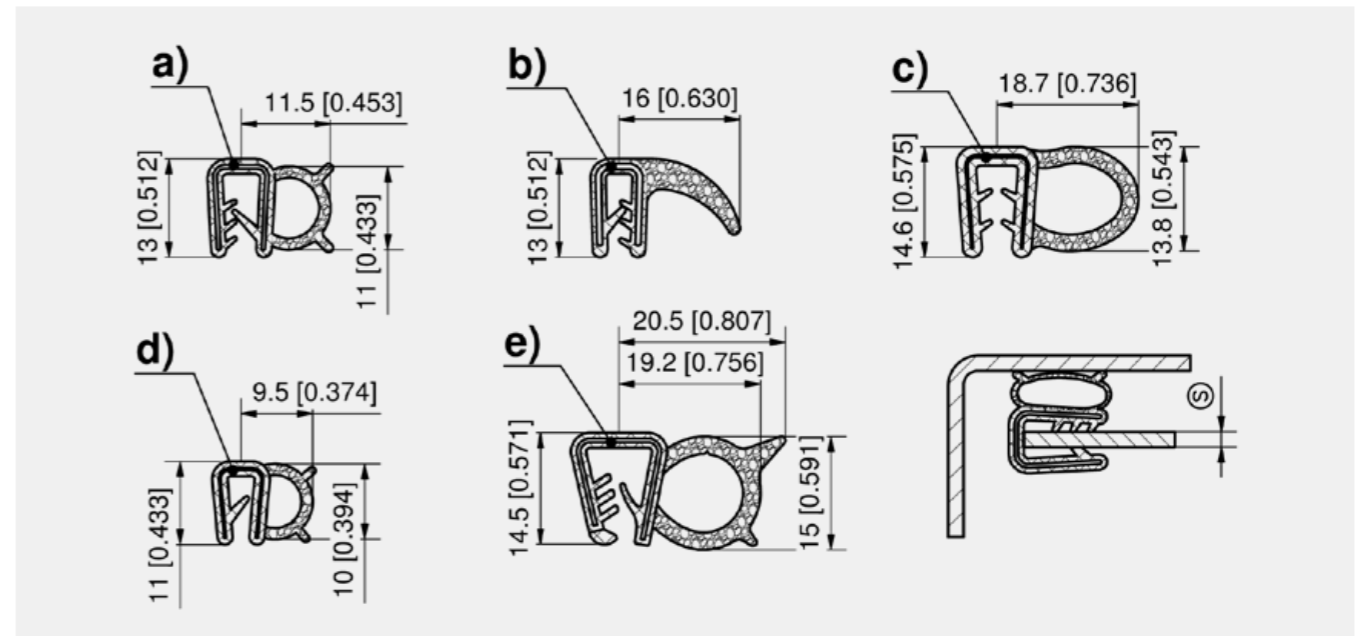
Materials

- **Clip-on profiles:** EPDM or NBR
- **Carrier:** Soft rubber
- **Sealing part:** Sponge rubber



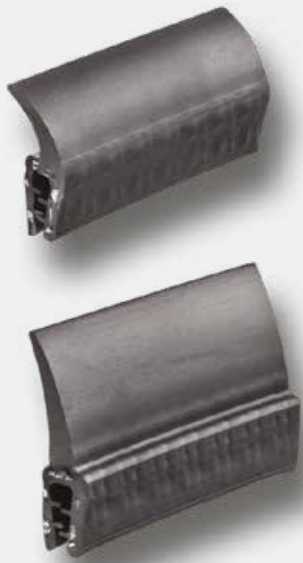
Clip-on sealing profile

	Part Number	Material	Material 2	Colour	Width W	Height H	Clamping range	Packaging unit
a)	209-0201.00-00000	soft rubber, EPDM	sponge rubber, EPDM	black	11 mm	21.5 mm	1.5 - 3 mm	50 m
a)	209-0201.1A-00000	soft rubber, EPDM	sponge rubber, EPDM	black	11 mm	21.5 mm	0.8 - 2 mm	50 m
a)	209-2201.00-00000	soft rubber, NBR	sponge rubber, NBR	black	11 mm	21.5 mm	1.5 - 3 mm	50 m
a)	209-0240.00-00000	soft rubber, EPDM	sponge rubber, EPDM	black	11 mm	21.5 mm	3.0 - 4 mm	100 m
b)	209-0205.00-00000	soft rubber, EPDM	sponge rubber, EPDM	black	8.4 mm	15.6 mm	1.0 - 2 mm	50 m
b)	209-0246.00-00000	soft rubber, NBR	sponge rubber, NBR	black	8.4 mm	15.6 mm	1.0 - 2 mm	50 m
c)	209-0205.1A-00000	soft rubber, EPDM	sponge rubber, EPDM	black	8 mm	15 mm	0.8 - 1.5 mm	50 m
d)	209-0211.00-00000	soft rubber, EPDM	sponge rubber, EPDM	black	9.3 mm	21 mm	1.0 - 2.5 mm	50 m
e)	209-0220.00-00000	soft rubber, EPDM	sponge rubber, EPDM	black	13 mm	29.5 mm	1.0 - 2.5 mm	50 m



Clip-on sealing profile

	Part Number	Material	Material 2	Colour	Clamping range	Packaging unit
a)	209-0202.00-00000	soft rubber, EPDM	sponge rubber, EPDM	black	1.5 - 3 mm	50 m
a)	209-0202.1A-00000	soft rubber, EPDM	sponge rubber, EPDM	black	0.8 - 2 mm	50 m
a)	209-2202.00-00000	soft rubber, NBR	sponge rubber, NBR	black	1.5 - 3 mm	50 m
b)	209-0203.00-00000	soft rubber, EPDM	sponge rubber, EPDM	black	1.5 - 3 mm	50 m
c)	209-0204.00-00000	soft rubber, EPDM	sponge rubber, EPDM	black	1.5 - 3 mm	25 m
d)	209-0206.00-00000	soft rubber, EPDM	sponge rubber, EPDM	black	1.0 - 2 mm	50 m
d)	209-0206.1A-00000	soft rubber, EPDM	sponge rubber, EPDM	black	0.8 - 1.5 mm	50 m
e)	209-0228.00-00000	soft rubber, EPDM	sponge rubber, EPDM	black	1.0 - 2.5 mm	75 m
e)	209-0229.00-00000	soft rubber, EPDM	sponge rubber, EPDM	black	2.0 - 4 mm	75 m
e)	209-0230.00-00000	soft rubber, EPDM	sponge rubber, EPDM	black	4.0 - 6 mm	75 m



Advantages

- The sealing part of these profiles is made of sponge rubber and the clamp area consists of soft rubber with a steel clip-on core.
- In an extrusion process the two materials are bonded to each other through vulcanization.
- Tested according to UL 157 and UL 50E.

Materials

- **Clip-on profiles:** EPDM
- **Carrier:** soft rubber
- **Sealing part:** Sponge rubber

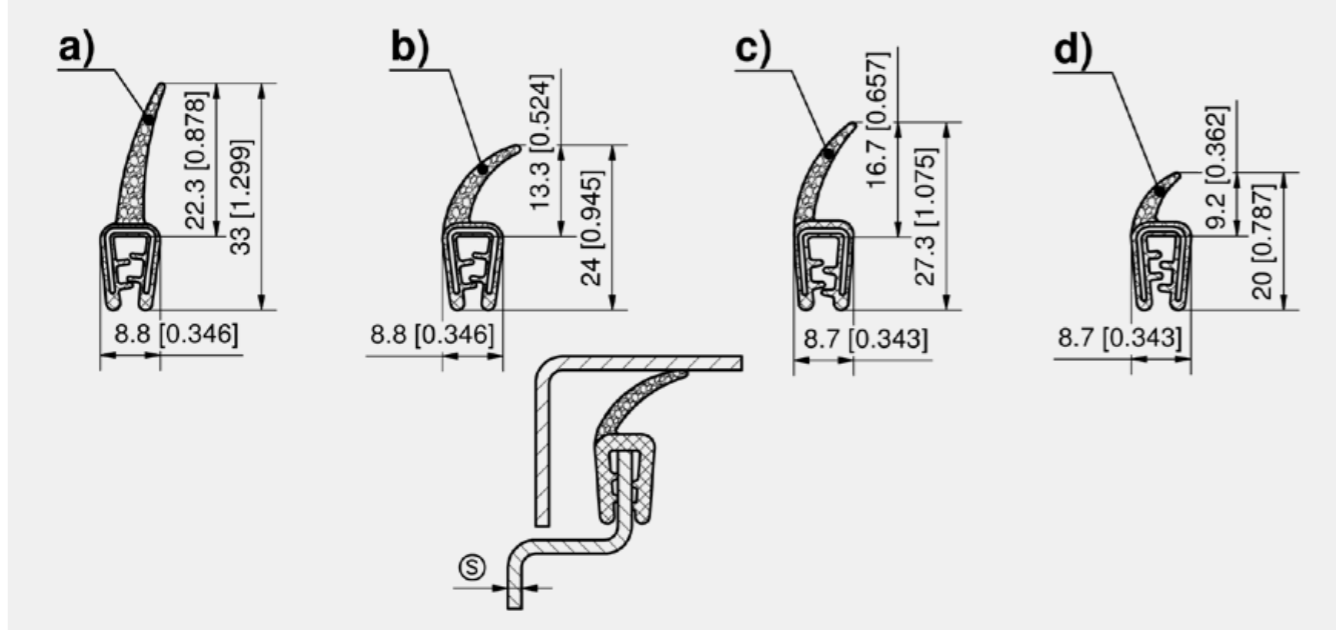


Advantages

- The combination profiles consist of PVC with closed cell sponge rubber profiles.
- These sponge rubber profiles are made of high-quality synthetic rubber and are characterized by a high age resistance and great elasticity.
- Sealing profiles as a combination between PVC edge trim and sponge rubber can have up to two glued joints.

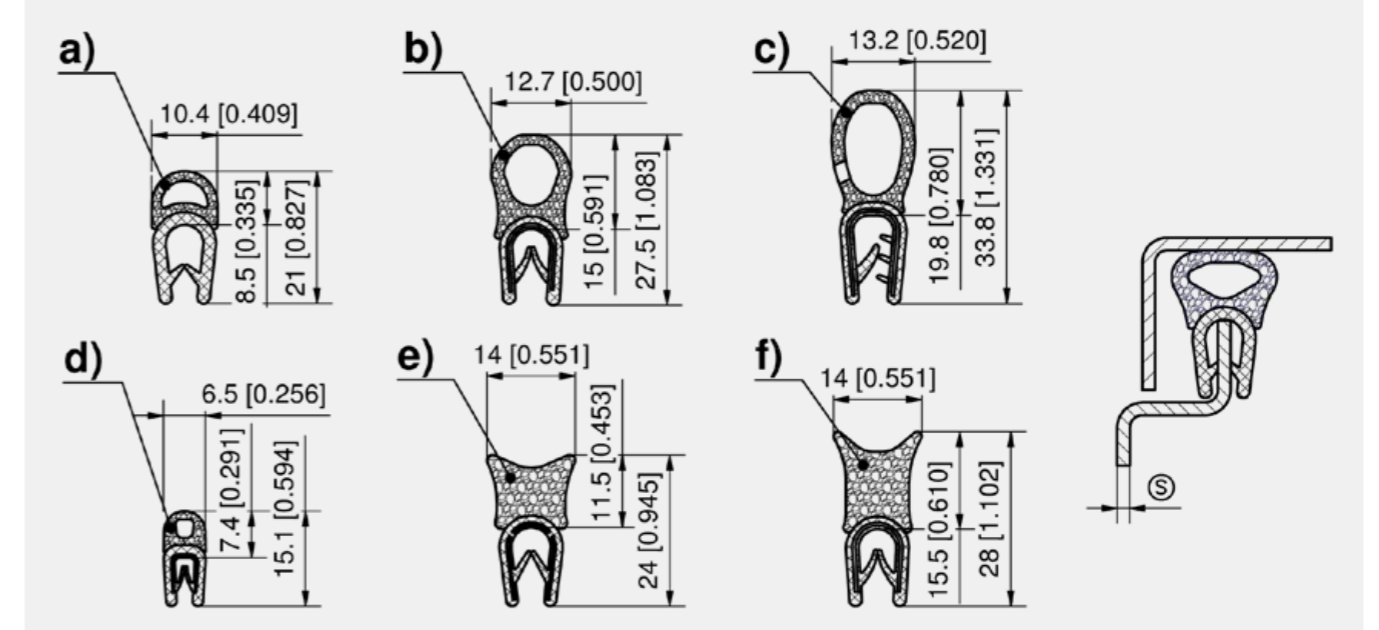
Materials

- **Carrier:** PVC
- **Sealing part:** Sponge rubber, EPDM



Clip-on sealing profile

	Part Number	Material	Material 2	Colour	Clamping range	Packaging unit
a)	209-0219.00-00000	soft rubber, EPDM	sponge rubber, EPDM	black	1.0 - 2.5 mm	50 m
b)	209-0221.00-00000	soft rubber, EPDM	sponge rubber, EPDM	black	1.0 - 2.5 mm	50 m
c)	209-0237.00-00000	soft rubber, EPDM	sponge rubber, EPDM	black	1.0 - 3 mm	50 m
d)	209-0239.00-00000	soft rubber, EPDM	sponge rubber, EPDM	black	1.0 - 2 mm	50 m



Clip-on sealing profile

	Part Number	Material	Material 2	Colour	Clamping range	Width W	Height H	Packaging unit
a)	209-0213.00-00000	PVC	sponge rubber, EPDM	black	1.0 - 4 mm	10.4 mm	21 mm	50 m
b)	209-0215.00-00000	PVC	sponge rubber, EPDM	black	1.0 - 4 mm	12.7 mm	27.5 mm	50 m
c)	209-0216.00-00000	PVC	sponge rubber, EPDM	black	2.0 - 4 mm	13.2 mm	33.8 mm	50 m
d)	209-0222.00-00000	PVC	sponge rubber, EPDM	black	1.0 - 2 mm	6.5 mm	15.1 mm	100 m
e)	209-0227.00-00000	PVC	sponge rubber, EPDM	black	1.0 - 4 mm	14 mm	24 mm	50 m
f)	209-0238.00-00000	PVC	sponge rubber, EPDM	black	1.0 - 4 mm	14 mm	28 mm	50 m



Advantages

- The combination profiles consist of PVC with closed cell sponge rubber profiles.
- These sponge rubber profiles are made of high-quality synthetic rubber and are characterized by a high age resistance and great elasticity.
- Sealing profiles as a combination between PVC edge trim and sponge rubber can have up to two glued joints.

Materials

- **Carrier:** PVC
- **Sealing part:** Sponge rubber, EPDM



Advantages

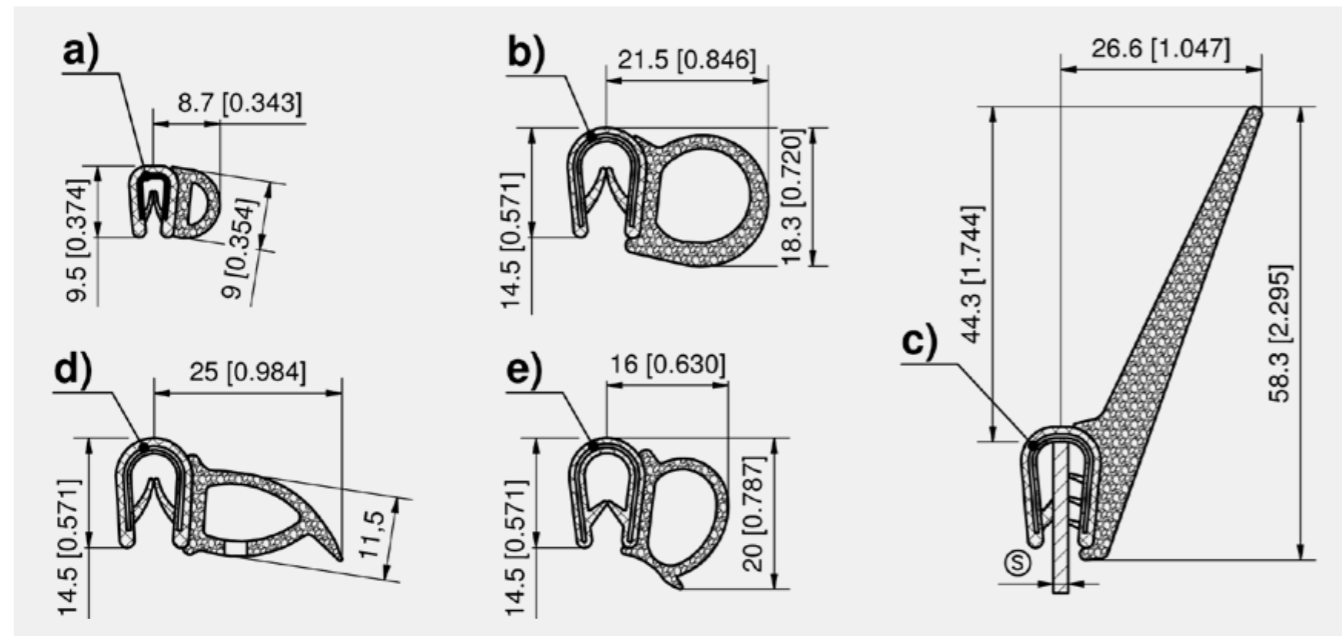
- Special sealing profiles made of EPDM for application according to the shown examples.
- **Tested according to UL 157 and UL 50E.**

Materials

- **Special profiles:** EPDM

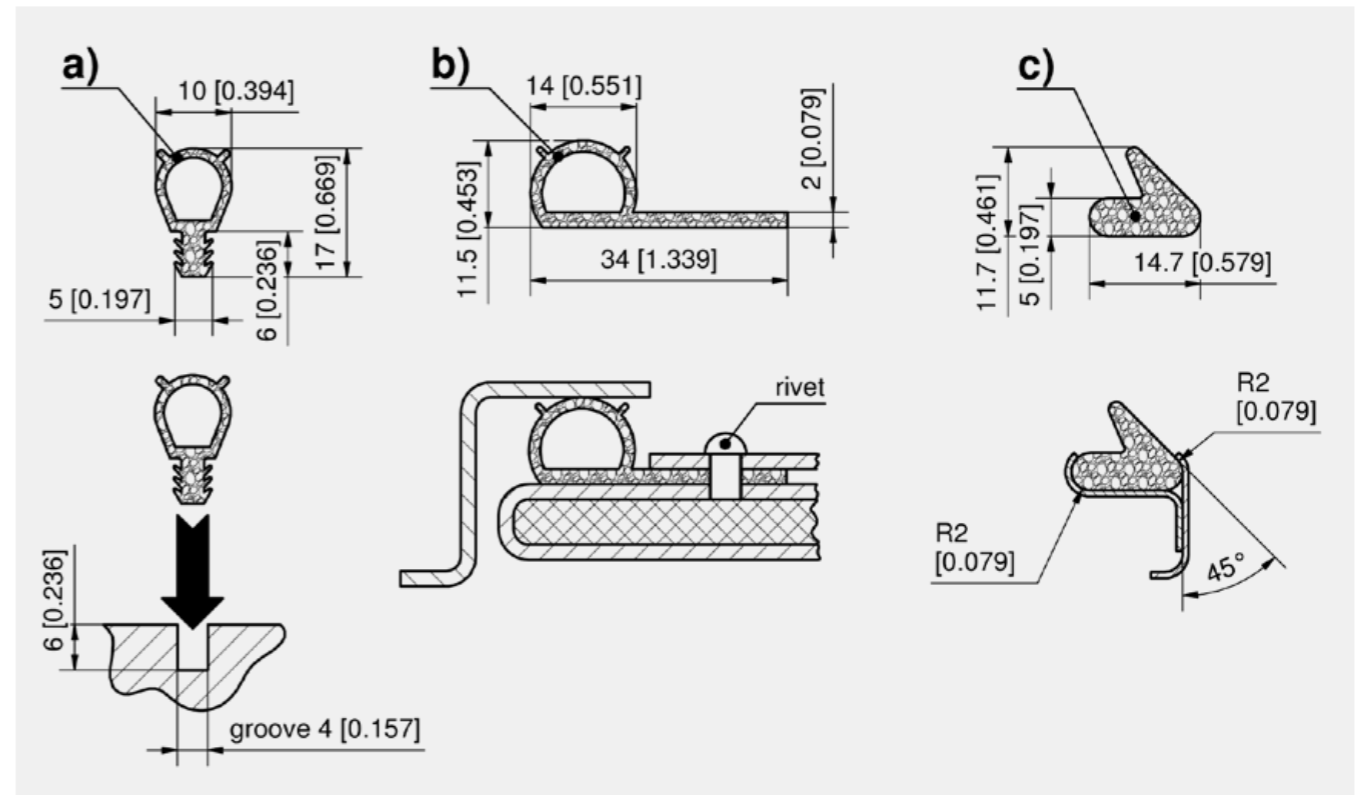
Remarks

Note Tolerances!



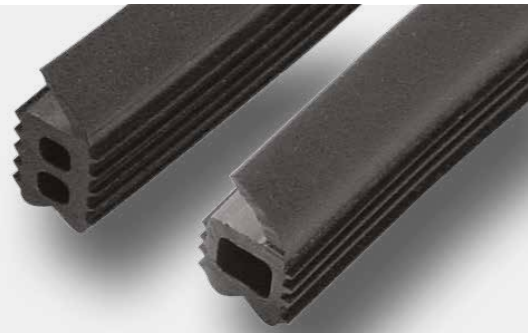
Clip-on sealing profile

	Part Number	Material	Material 2	Colour	Clamping range	Packaging unit
a)	209-0212.00-00000	PVC	sponge rubber, EPDM	black	1.0 - 2 mm	100 m
b)	209-0214.00-00000	PVC	sponge rubber, EPDM	black	1.0 - 4 mm	50 m
c)	209-0217.00-00000	PVC	sponge rubber, EPDM	black	2.0 - 4 mm	25 m
d)	209-0218.00-00000	PVC	sponge rubber, EPDM	black	1.0 - 4 mm	50 m
e)	209-0226.00-00000	PVC	sponge rubber, EPDM	black	1.0 - 4 mm	50 m



EPDM special profiles

	Part Number	Material	Colour	Shore A	Packaging unit
a)	209-0704.00-00000	EPDM	black		50 m
b)	209-1203.00-00000	EPDM	black	55 °	50 m
c)	241-0903.00-00000	EPDM	black	15 °	50 m



Advantages

- Conventional door profiles made of PVC for applications into seal channels.
- Several versions for different door bendings available.
- For higher requirements regarding sealing properties and easy fitting please see product system 5-100.

Materials

Sealing Profile: PVC

Remarks

Note Tolerances!



Advantages

- Seal for double doors.
- Tested according to UL 157 and UL 50 E.

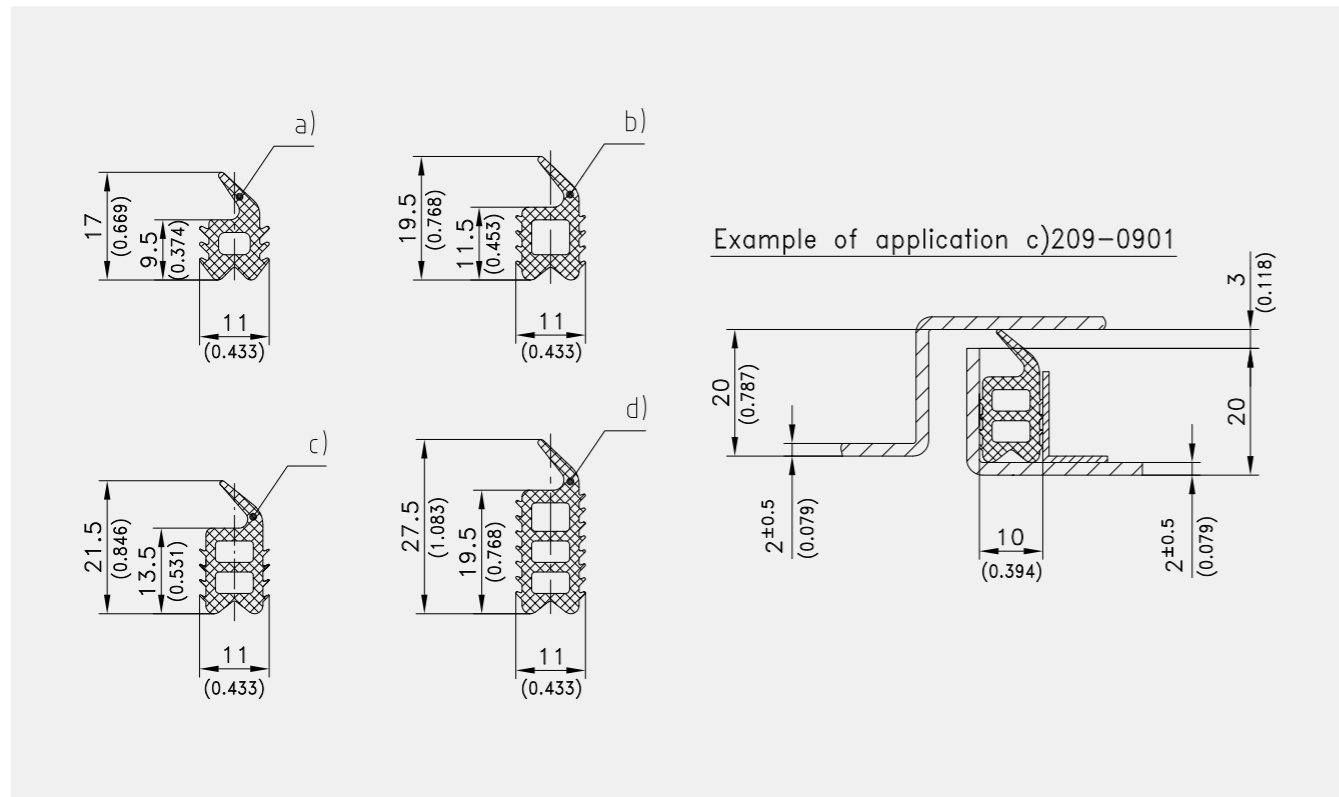
Materials

Profile: EPDM

Remarks

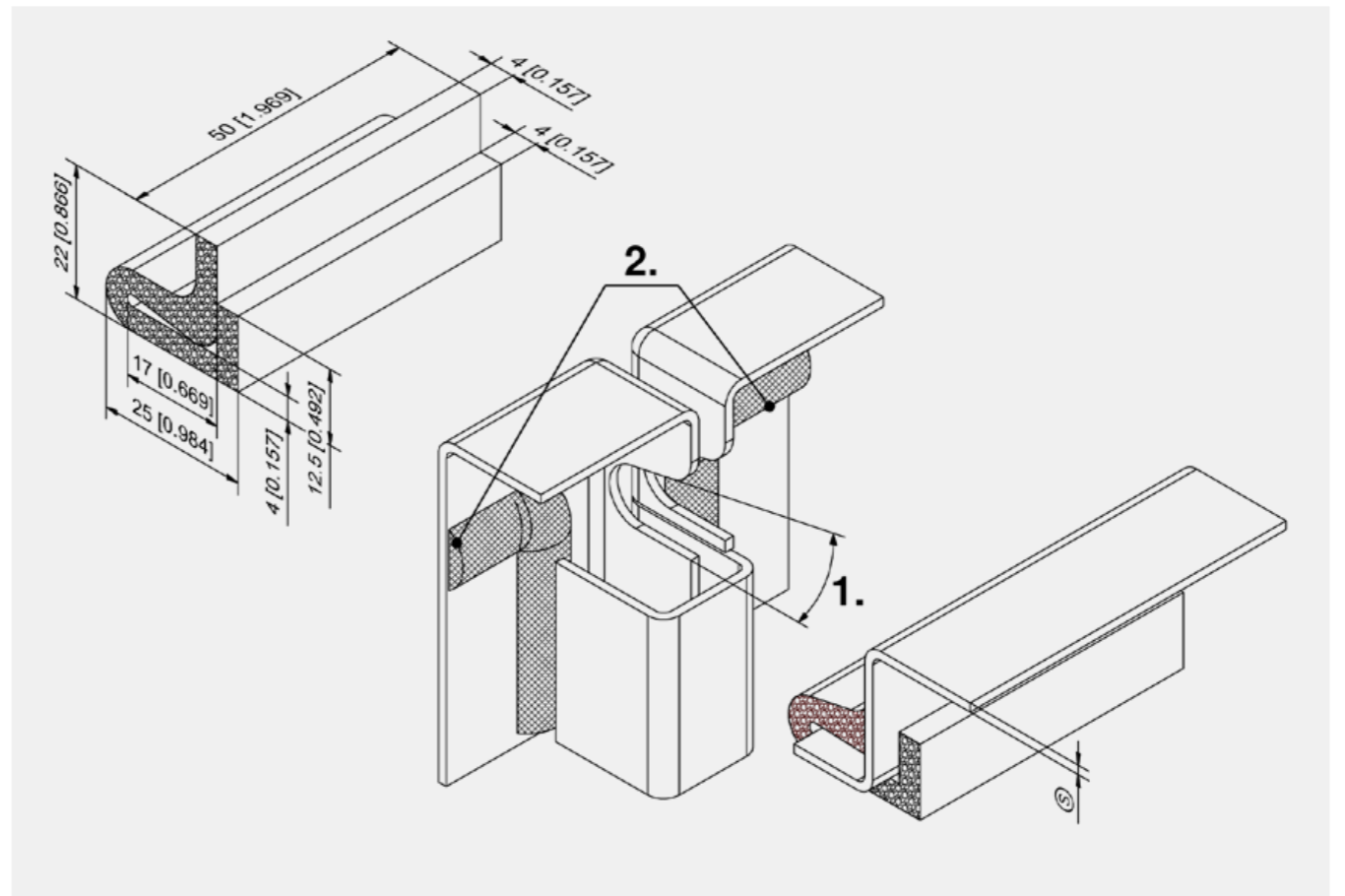
- s = 1.2 - 2mm
- 1. Angle depends on panel thickness. Standard ~30°
- 2. foamed sealing

Packaging unit:
10 pcs. of 50mm.



Channel Sealing Profiles

	Part Number	Material	Colour	Width W	Height H	Packaging unit
a)	209-0903.00-00000	PVC	black	11 mm	17 mm	20 m
b)	209-0902.00-00000	PVC	black	11 mm	19.5 mm	20 m
c)	209-0901.00-00000	PVC	black	11 mm	21.5 mm	20 m
d)	209-0904.00-00000	PVC	black	11 mm	27.5 mm	20 m



Profile for Double Doors

Part Number	Material	Colour	Width W	Height H	Shore A
209-1204.00-00050	EPDM	black	25 mm	22 mm	15 °



Advantages

- Edge protections are used when steel edges have to be smooth.
- Additional metal machining work can be avoided and an decorative effect is achieved.
- The U-shaped steel clip-on tape with a PVC jacketing provide for firm seating on metal edges, even if there are radii or bends.

Materials

■ **Edge protection:** PVC with steel spring core

Remarks

The PVC jacketing is resistant to weathering and to temperatures within a range from approx. -40° to +70° Celsius.
Note Tolerances!



Advantages

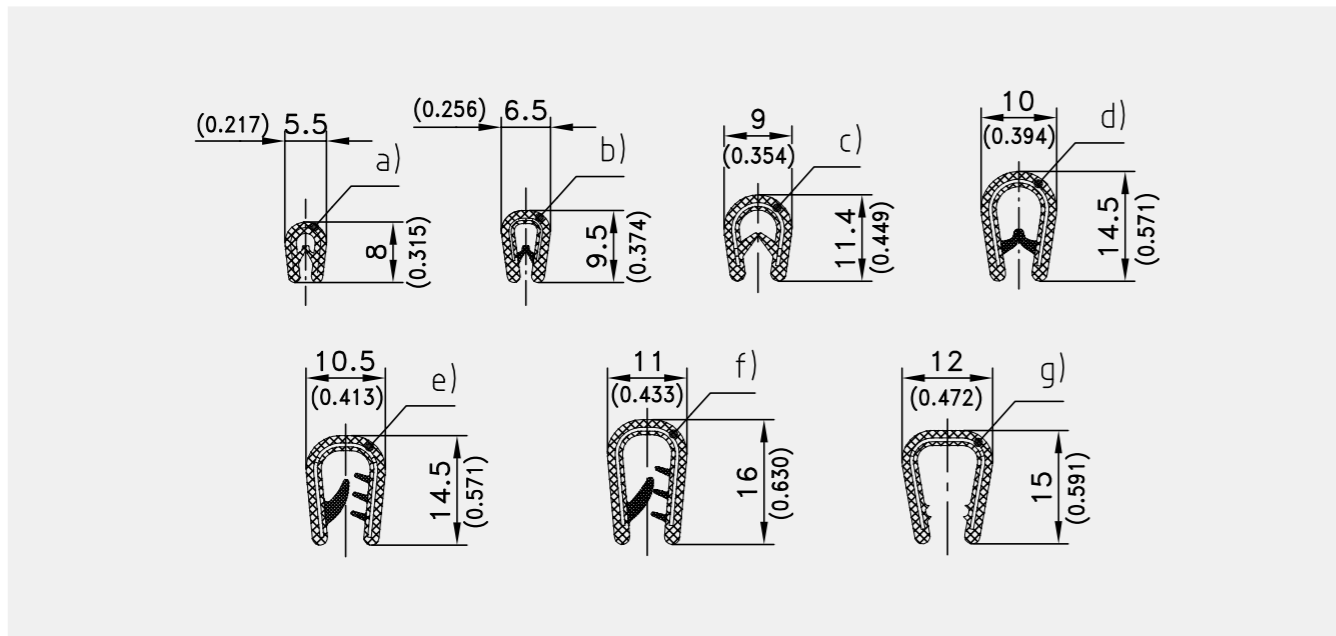
- Edge protections are used when steel edges have to be smooth.
- Additional metal machining work can be avoided and an decorative effect is achieved.
- The U-shaped steel clip-on tape with an EPDM jacketing provides for firm seating on metal edges, even if there are radii or bends.
- **Tested according to UL 157 and UL 50E.**

Materials

■ **Edge protection:** EPDM, black with steel spring core

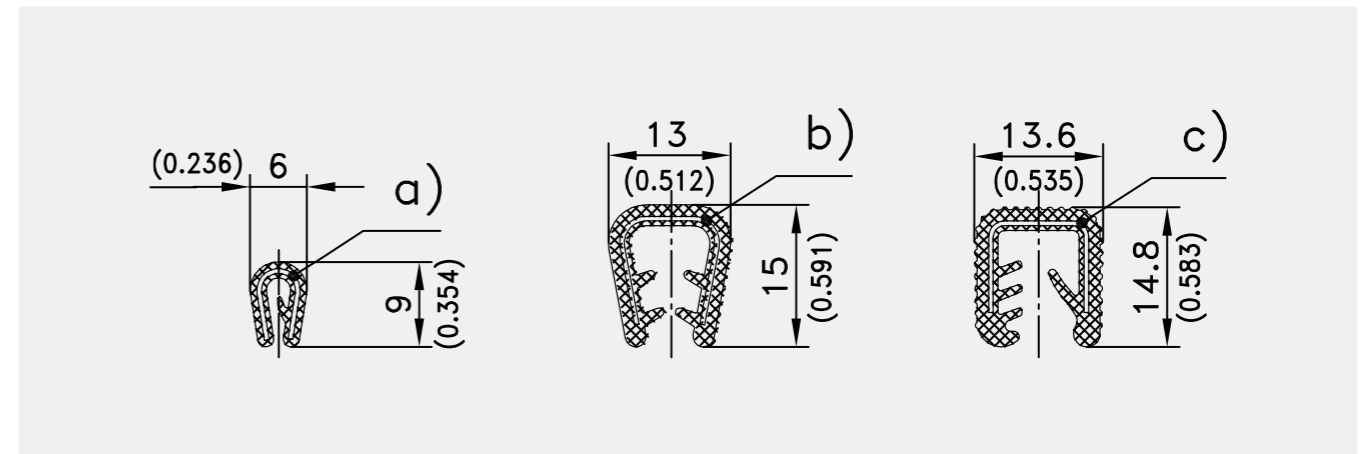
Remarks

Note Tolerances.



Edge Protections

	Part Number	Material	Colour	Clamping range	Width W	Height H	Packaging unit
a)	209-0801.00-00000	PVC	black, smooth	0.8 - 1.5 mm	5.5 mm	8 mm	50 m
b)	209-0802.00-00000	PVC	black	1.0 - 2 mm	6.5 mm	9.5 mm	50 m
b)	209-0805.00-00000	PVC	white grey	1.0 - 2 mm	6.5 mm	9.5 mm	100 m
b)	209-0807.00-00000	PVC	silver	1.0 - 2 mm	6.5 mm	9.5 mm	100 m
c)	209-0808.00-00000	PVC	black	1.0 - 2 mm	9 mm	11.4 mm	100 m
c)	209-0820.00-00000	PVC	black	2.0 - 4 mm	9 mm	11.4 mm	100 m
d)	209-0803.00-00000	PVC	black	1.0 - 4 mm	10 mm	14.5 mm	50 m
d)	209-0810.00-00000	PVC	anthracite	1.0 - 4 mm	10 mm	14.5 mm	100 m
d)	209-0811.00-00000	PVC	light grey	1.0 - 4 mm	10 mm	14.5 mm	100 m
d)	209-0812.00-00000	PVC	white grey	1.0 - 4 mm	10 mm	14.5 mm	100 m
e)	209-0813.00-00000	PVC	black	2.0 - 5 mm	10.5 mm	14.5 mm	100 m
f)	209-0814.00-00000	PVC	black	2.0 - 4 mm	11 mm	16 mm	100 m
f)	209-0816.00-00000	PVC	black	1.0 - 2.5 mm	11 mm	16 mm	100 m
f)	209-0817.00-00000	PVC	black	4.0 - 6 mm	11 mm	16 mm	100 m
g)	209-0818.00-00000	PVC	black	8.0 - 10 mm	12 mm	15 mm	100 m
g)	209-0815.00-00000	PVC	black	6.0 - 8 mm	12 mm	15 mm	100 m
g)	209-0819.00-00000	PVC	light grey	6.0 - 8 mm	12 mm	15 mm	100 m



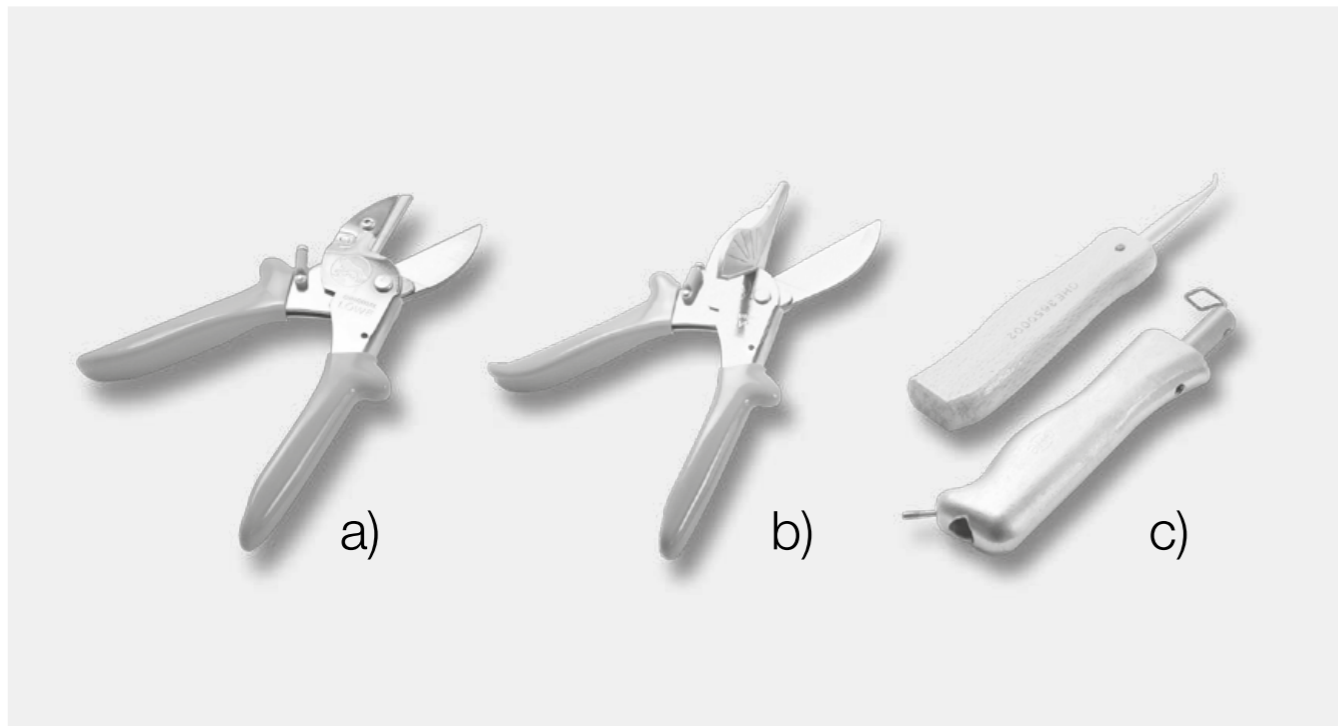
Edge Protections

	Part Number	Material	Colour	Clamping range	Width W	Height H	Packaging unit
a)	209-0824.00-00000	EPDM	black	1.0 - 2 mm	6 mm	9 mm	100 m
b)	209-0825.00-00000	EPDM	black	5.0 - 8 mm	13 mm	15 mm	100 m
c)	209-0826.00-00000	EPDM	black	5.0 - 6 mm	13.6 mm	14.8 mm	100 m



Advantages

- Pair of scissors for cutting sealing profiles into length.
- Pair of scissors with protractor.
- Fitting tool for window seals 5-130 / 5-131.
- Glue for EPDM for joining the sealing profiles to rings.



Accessories for Profiles

	Part Number	Name	Eyelets width
a)	209-1001.00-00000	Pair of universal scissors	
b)	209-1002.00-00000	Pair of mitring scissors	
c)	209-1003.00-00000	Fitting tool for window seals, incl. eye 701-7068	
	701-7066.00-00000	Eye for fitting tool, small	9.4 mm
	701-7067.00-00000	Eye for fitting tool, medium	10.6 mm
	701-7068.00-00000	Eye for fitting tool, large	14 mm
	209-7054.00-00000	Glue for EPDM, 50g	



Advantages

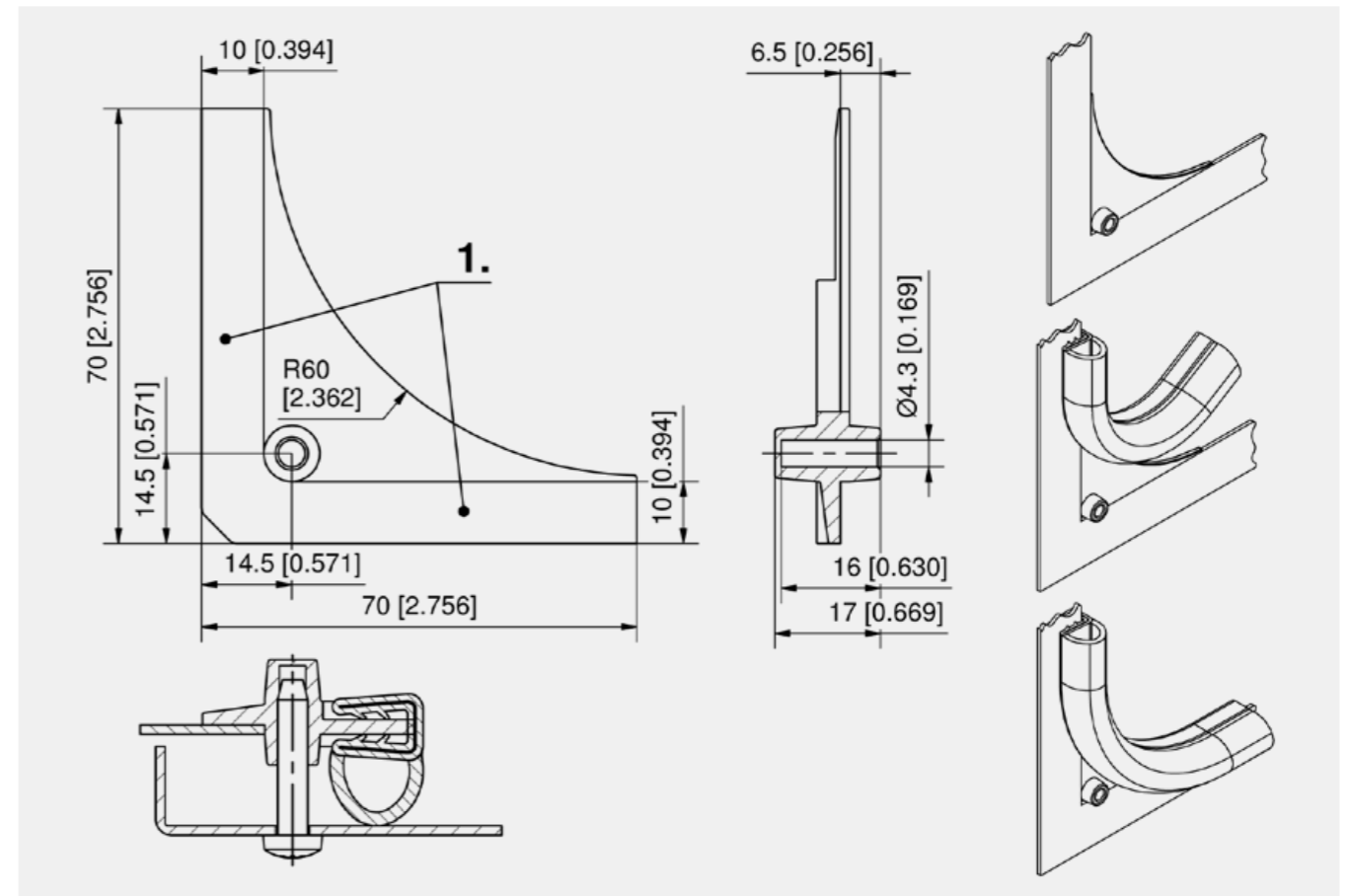
- Radius Adapter simplifies installation for clip-on sealing profiles by creating a radius within 90° inside corners.
- The radius adapter is easily installed and kept in position at the flange of the housing by the clip-on U-part of the sealing profile.
- No welding and grinding of junction plates due to the corner radius.
- Just put the radius adapter into the angle (after the painting process) and fix with the U-shape carrier of the sealing profile.
- Housing covers can be screwed to the frame at low cost using the integrated device for selftapping screw.

Materials

- **Radius Adapter:** PA6 30GF, black

Remarks

1. Installation surface



Accessories for Profiles

Part Number	Type	Surface
209-4204.52-00000	Radius adapter for clip-on profiles	black

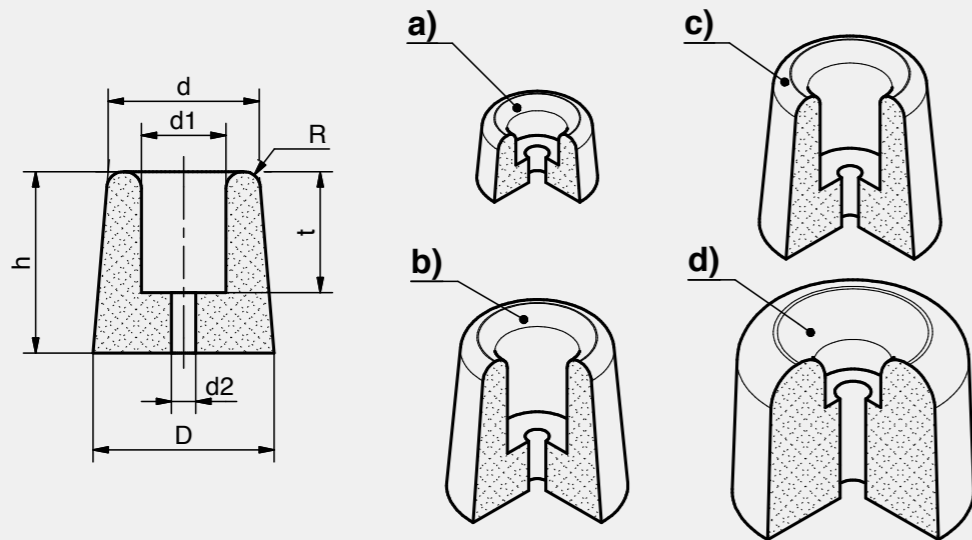


Advantages

- Rubber type bumpers in a variety of dimensions.
- Universal in use and made of rubber, they offer long service lives and an economical answer to many needs.
- Protection against damage to other components when opening and closing hinged hatch covers or doors.
- Used as rubber feet, they absorb vibration, too.
- Vigorous movements are damped.
- Scratches on the floor are prevented.

Materials

■ **Rubber Bumpers:** EPDM 30% / NR 70%, black, Shore A 70-80°



Rubber Bumpers

	Part Number	h	D	d	d1	d2	t	R
a)	209-3001.00-00000	12 mm	20 mm	18 mm	10 mm	4 mm	7 mm	2 mm
b)	209-3002.00-00000	30 mm	30 mm	25 mm	14 mm	4 mm	20 mm	2.8 mm
c)	209-3003.00-00000	22.5 mm	20 mm	19 mm	10 mm	4 mm	8 mm	2 mm
d)	209-3004.00-00000	32 mm	40 mm	38 mm	13 mm	6 mm	12 mm	6 mm

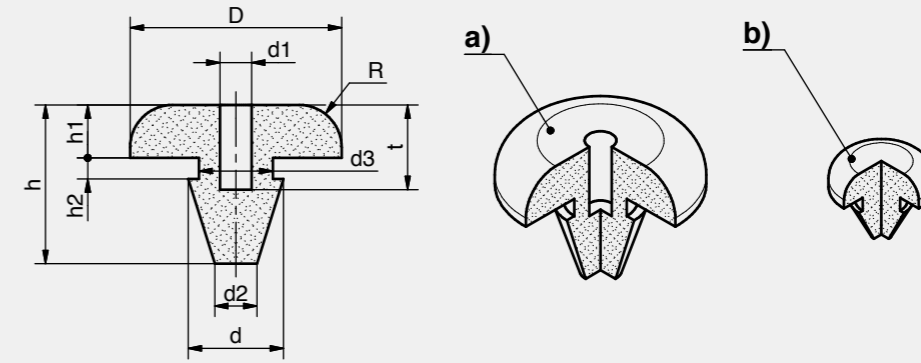


Advantages

- Mushroom type bumpers in a variety of dimensions.
- Universal in use and made of rubber, they offer long service lives and an economical answer to many needs.
- Protection against damage to other components when opening and closing hinged hatch covers or doors.
- Used as rubber feet, they absorb vibration, too.
- Vigorous movements are damped.
- Scratches on the floor are prevented.

Materials

■ **Mushroom type bumpers:** EPDM 30% / NR 70%, black, Shore A60°



Mushroom Type Bumpers

	Part Number	D	d	d1	d2	d3	h	h1	h2	t	R
a)	209-3101.00-00000	20 mm	9 mm	3 mm	4 mm	7 mm	15 mm	5 mm	2 mm	8 mm	4 mm
b)	209-3102.00-00000	10 mm	6 mm	2 mm	5 mm	5 mm	8.5 mm	3 mm	1.5 mm		2 mm

as per DIN 7716

1. Applicability

The guidelines which follow are applicable to products made both of pure rubber and rubber combined with other products, to elastomers made of natural rubber and/or synthetic rubber as well as to glued or laminated products and solutions.

2. General

The properties of most rubber products will be affected if they are stored under adverse conditions or improperly handled. They may be made unserviceable due to excess hardening, softening, permanent deformation or spalling, fissures or other surface damage.

The changes may be caused by the effects of oxygen, ozone, heat, light, moisture, solvents or storing under tension. If properly stored and handled, rubber products will retain their properties virtually unchanged over several years.

3. Storage area

The storage room should be cool, dry, free of dust and ventilated but not drafty.

3.1. Temperature

The storage temperature should be 15°C and may not exceed 25°C since this could cause a change in the physical properties or could shorten the shelf life. Neither should the storage temperature fall below -10°C. Even lower temperatures are generally not detrimental but the products could become extremely stiff. Chilled products should gradually be brought up to a temperature of 20°C. Adhesives and solutions may never be colder than 0°C; the minimum storage temperature for products made of certain chloroprene rubber compounds may, under certain circumstances, be 12°C.

3.2. Heating

Where the storage area is heated, radiators and piping should be shielded. The heat sources in the storage areas should be engineered so that the temperature of the items in storage does not exceed 25°C. Minimum clearance between the heat source and the stored products is 1 m.

3.3. Moisture

Storing rubber products in damp storage rooms should be avoided. No condensation may form. Relative humidity should be less than 65%.

3.4. Lighting

The rubber products should be protected against light, and in particular, against the sun's direct rays and strong artificial illumination with a high share of ultraviolet light. It is for this reason that the windows in storerooms should be covered with a red or orange (never blue) coating or film. All sources which emit light in the ultraviolet spectrum are damaging to rubber. Preference is to be given to using standard incandescent lamps for illumination.

3.5. Oxygen and ozone

Rubber products should be protected against changes in room air and above all against drafts; this may be done by placing them in protective bags or envelopes or in airtight containers. This applies in particular to items with a large surface area in relationship to the volume such as rubberized items or cellular materials. Since ozone is particularly detrimental, no equipment which generates ozone may be present in storerooms; examples of such sources include fluorescent illumination, mercury vapor lamps, electric motors or other devices which could create arcs or electrical discharges. Combustion gases and vapors which could liberate ozone through photo-chemical processes should be removed. Solvents, fuels, lubricants, chemicals, acids, disinfectants and the like may not be stored in the storeroom. Rubber solutions must be stored in a separate room, observing regulations on the storage and movement of flammable fluids.

4. Storage

It is important to ensure that rubber products are free of strain when stored, i.e., not subject to tension, pressure or other stresses since strain can promote permanent deformation and fissuring. Certain metals, and copper and manganese in particular, are damaging to rubber products. It is for this reason that rubber products may not be in contact with these metals during storage but will rather have to be protected by adequate packaging or isolation with a layer of a suitable material such as paper or polyethylene. The materials used in the containers for the packing and covering materials may not contain any components damaging to rubber, such as copper or copper alloys. Gasoline, oil and the like, and films containing plasticizers may not be used for packaging. If powder is applied to rubber products, then the powder may not contain any components which would be damaging to the rubber products. Products suitable for use as powder are talcum powder, prepared chalk (Spanish white), fine-grain mica flour and rice starch. Contact between rubber products made up of differing compounds should be avoided; this is particularly true for products of different colors. The period in storage should be kept as short as possible. During longer storage periods, it is necessary to insure that newly arrived products are stored separate from those previously on hand.

5. Cleaning and maintenance

Rubber products may be cleaned with soap and warm water and then allowed to dry at room temperature.

After a longer period in storage (6 to 8 months), the products can be cleaned with a 1.5% solution of sodium bicarbonate. Residues from this cleaning solution are to be rinsed away with water. Effective and particularly gentle cleaning agents can be recommended by the manufacturer. Solvents such as trichloroethylene, carbon tetrachloride and hydrocarbons may not be used for cleaning. Do not use sharp or abrasive objects such as wire brushes, sandpaper, etc.

Elastomer designation in accordance with ASTM D 1418-76

- CR Polychlorinated butadiene e.g. Neoprene
- EPDM Ethylene-propylene terpolymers e.g. Keltan
- NBR Acrylonitrile butadiene copolymers e.g. Perbunan
- NR Natural rubber (polyisoprene)

Elastomers and their properties

Chemical designation	Natural rubber	Nitrile rubber	Chloroprene rubber	Ethylene-Propylene-diene-rubber
Acronym according to ASTM D 1418	NR	NBR	CR	EPDM
Hardness range (Shore A) +/-5	40-90	45-90	40-90	40-85
Tear resistance N/mm ²	4-15	4-14	5-15	6-13
Rebound resilience at 20°C	++	0	+	+
Abrasion resistance	++	+	+	+
Elastic properties	++	+	+	+
Chemical resistance ^A	+	0	+	++
Resistance to oil ^A	-	++	+	-
Resistance to fuels ^A	none	+	-	-
Solvent resistance ^A	-	+	+	0
Temperature resistance °C ^B	-40 to +80	-30 to +100	-25 to +100	-40 to +100
Ozone resistance	0	0	++	++
Gen. weathering resistance	+	+	++	++
Gas impermeability	0	+	+	0
Resistance to permanent deformation ^C	++	+	+	+
Bonding to metal	++	0	+	0
Dielectric properties	++	-	0	++

Explanation of symbols

- A = Because of the numerous possible chemicals, solvents, application-temperatures and duration, the values stated may vary in individual cases. In particular, a type of elastomer that generally displays a low resistance may be very resistant to certain media.
- B = These are limits that may fluctuate according to the composition of the mixture. Continuous use at limit levels brings about a change in the physical values. Special elastomer mixtures are necessary for extreme loads.
- C = In general, the resistance declines at relatively low or high temperatures.
- ++ = excellent to very good
- + = good
- o = satisfactory to moderate
- = low to poor

The purpose of the subsequently compiled tolerances from the respective standard is to facilitate the quick assignment of tolerated dimensional deviations.

(Not applicable to drawing with fixed tolerances.)

Moulded rubber parts based on DIN 7715 M4

Nominal range [mm]	Tolerance ± [mm]
- 6.3	0.5
> 6.3 - 10.0	0.7
> 10.0 - 16.0	0.8
> 16.0 - 25.0	1.0
> 25.0 - 40.0	1.3
> 40.0 - 63.0	1.6
> 63.0 - 100.0	2.0
> 100.0 - 160.0	2.5
> 160	1.5 %

Solid rubber profiles (cross section) based on DIN ISO 3302-1 E2

Nominal range [mm]	Tolerance ± [mm]
- 1.5	0.25
> 1.5 - 2.5	0.35
> 2.5 - 4.0	0.40
> 4.0 - 6.3	0.50
> 6.3 - 10.0	0.70
> 10.0 - 16.0	0.80
> 16.0 - 25.0	1.00
> 25.0 - 40.0	1.30
> 40.0 - 63.0	1.60
> 63.0 - 100.0	2.00

Sponge rubber (cross section) based on DIN ISO 3302-1 E3

Nominal range [mm]	Tolerance ± [mm]
- 1.5	0.4
> 1.5 - 2.5	0.5
> 2.5 - 4.0	0.7
> 4.0 - 6.3	0.8
> 6.3 - 10.0	1.0
> 10.0 - 16.0	1.3
> 16.0 - 25.0	1.6
> 25.0 - 40.0	2.0
> 40.0 - 63.0	2.5
> 63.0 - 100.0	3.2

Tolerances for custom length (rubber) based on DIN ISO 3302-1 L3

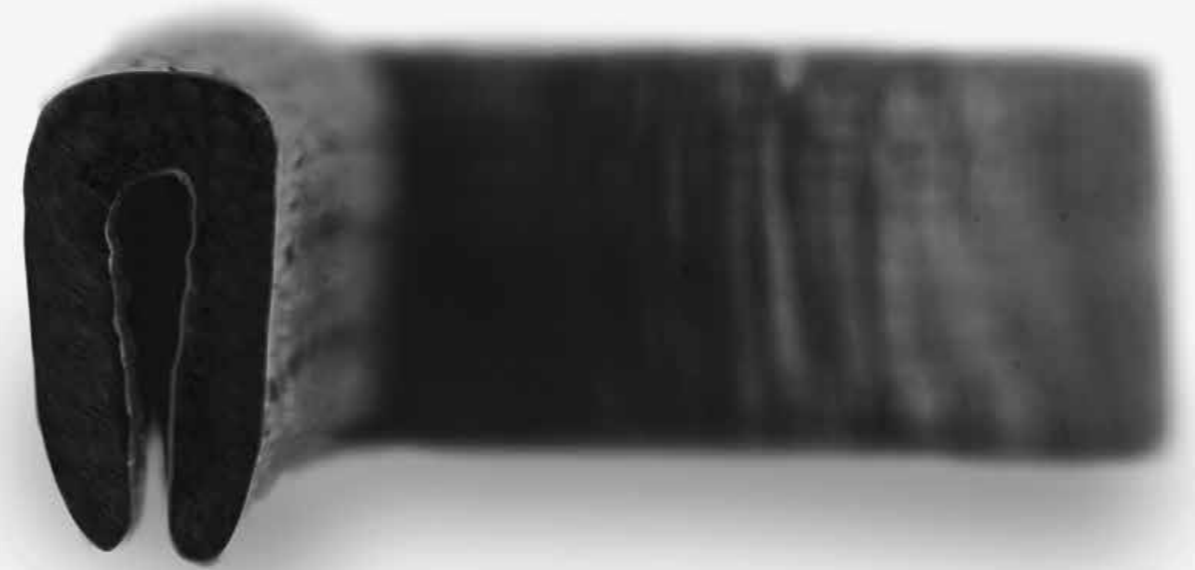
Nominal range [mm]	Tolerance ± [mm]
- 40	1.6
> 40 - 63	2.0
> 63 - 100	2.5
> 100 - 160	3.2
> 160 - 250	4.0
> 250 - 400	5.0
> 400 - 630	6.3
> 630 - 1000	10.0
> 1000 - 1600	12.5
> 1600 - 2500	16.0
> 2500 - 4000	20.0
> 4000	2 %

PVC-Profiles (cross section) based on DIN 16941 3A and 3B

Nominal range [mm]	Tolerance ± [mm]
- 3	0.4
> 3 - 6	0.6
> 6 - 10	0.7
> 10 - 18	0.8
> 18 - 30	1.0
> 30 - 50	1.2
> 50 - 80	1.5
> 80 - 120	1.9
> 120 - 180	2.3
> 180 - 250	2.8
> 250 - 320	3.5
> 320	1.4 %

Tolerances for custom length (PVC) based on DIN 16941 4B

Nominal range [mm]	Tolerance ± [mm]
- 400	5.0
> 400 - 1000	10.0
> 1000 - 2500	20.0
> 2500 - 6000	30.0
> 6000	2 %



Edge Protections PVC

See page 676